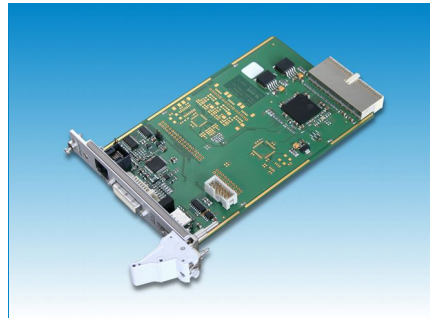


CPCI-DVI/2

CompactPCI® Graphic Card with Silicon Motion SM502 GPU

DVI-I, Serial and USB Interface

- 1x DVI-I connector including RGB-analog.
- Graphics processing unit SM502
- Front-side 1x serial RS-422 interface switchable to RS-232, 1x serial RS-232 interface via on-board connector
- Graphics resolution up to 1280x1024
- 1x USB 1.1 port as keyboard and mouse interface or touch



Serial Interface

The CPCI-DVI/2 is equipped with two serial interfaces. The front-side interface can be switched to RS-232 or RS-422 and supports a touchscreen or general purpose serial I/O. The on-board RS-232 interface can be used for general purpose serial I/O.

USB Interface

The board is equipped with a USB 1.1 interface. QNX and Linux driver support for USB is available. All device classes supported by the OS can be used. Drivers for other operating systems are available on request.

Multiple Interfaces for Touch

- Connected via RS-232 or RS-422
- More touches or HID via USB 1.1

QNX® and Linux® Driver Support

- Other operating systems on request

Industrial Graphics Controller

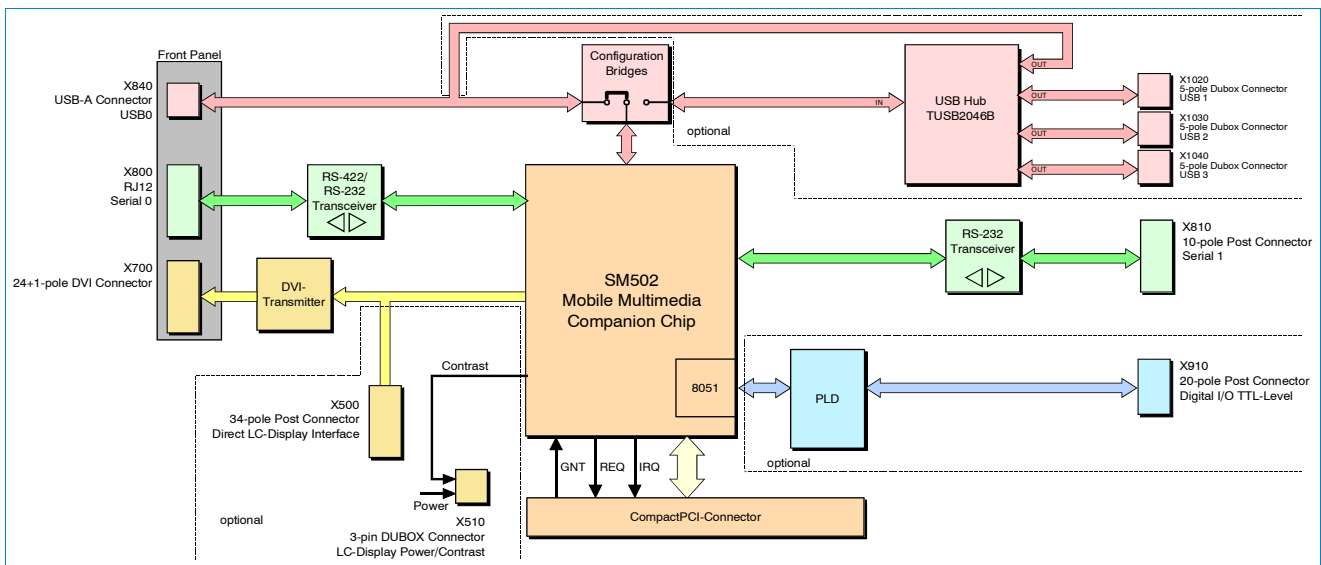
The ultra low-power graphics controller SM502 offers display modes from 640x480 (true color) at 85 Hz up to 1280x1024 (8 bit colors) at 75 Hz.

The DVI-I interface (digital video interface) is designed to control CRT-monitors by analog video signals as well as TFT-displays by digital video signals.

Hardware Options

Optionally the CPCI-DVI/2 can be enhanced with a USB Hub, direct digital display interface, matrix keyboard control lines via PLD implementation and 8051 firmware.

(This product is under development. It will be available Q3 2014.)



Technical Specifications:

CompactPCI Interface and Microcontroller:	
Controller	Silicon Motion SM502 graphic controller
CompactPCI	According to PIC-MG® 2.0 R2.1, 32 bit, 33/66 MHz, 3.3 V/5 V signals, PCI bus master capability
Graphics:	
Outputs:	Simultaneous display of digital TFT-display and analog CRT-monitor with different frequencies via DVI-connector (depending on resolution)
Display modes:	VGA (640x480) with True Color (24 bit) at 85 Hz SVGA (800x600) with True Color at 85 Hz XGA (1024x768) with High Color (16 bit) at 85 Hz SXGA (1280x1024) with 8 bit colors at 75 Hz
Interfaces	
USB	USB 1.1, via USB connector type-A
Serial	1x RS-422/RS-232 (switchable) via RJ12 connector, 1x RS-232 via on-board connector

General:	
Ambient temperature	0 °C ... +55 °C
Relative humidity	Max. 90 % (non-condensing)
Power supply	5 VDC, 3.3 VDC
Power consumption	Typical: 3.5 W (display idle), Max.: 10 W tbd.
Dimensions	3U, 4HP
Weight	160 g
Order Information:	
Hardware	Order No.
CPCI-DVI/2	CompactPCI graphic card with GPU SM502 and serial interfaces 1.2311.04

Software Support		
CPCI-DVI/2-QNX	QNX driver	1.2311.15
CPCI-DVI/2-Linux	Linux driver	1.2311.19

For detailed information about driver availability for your operating system please contact our sales team.