



# CAN-USB/2

## CAN USB 2.0 Interface

### CAN Network at USB 2.0

- USB 2.0 high-speed interface with data rates of 480 Mbit/s
- Differential CAN interface with electrical isolation, 1 Mbit/s, ISO 11898-2
- Powered via USB
- Microcontroller ARM 7™
- Time stamped CAN messages with a resolution of 1 µsec

### Robust Alu-Micro Case with Status LEDs

- Aluminium case, dimensions 55 mm x 55 mm x 25 mm
- Four LEDs show the state of the module
- Incl. USB cable

### Wide Range of Application

- Silent mode support for analyzing tools
- Full compatibility with applications written for esd's NTCAN-API
- CANopen® and J1939 protocol libraries are available
- Firmware can be updated in the field



### CAN-Interface

The ISO 11898-compliant CAN-interface allows a data-transfer rate of a maximum of 1 Mbit/s.

The CAN-interface is electrically isolated from other potentials by means of a digital isolator and a DC/DC-converter.

### Software Support

Software drivers for Windows® 2K/XP/Vista/7/8 (32/64 bit) are included in delivery.

Linux® kernel ≥ 2.6 is supported via Linux CAN (SocketCAN) and NTCAN wrapper library.

Drivers for other operating systems are available on request.

### Powerful CAN-Interface for PC

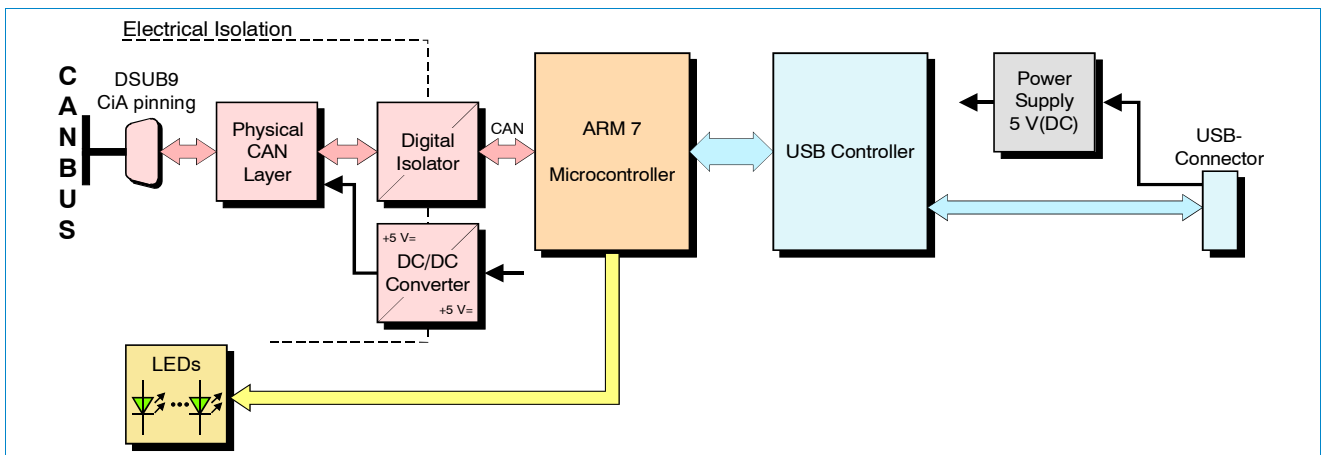
The CAN-USB/2 module is an intelligent CAN-interface with an ARM 7™ microcontroller for the local management of CAN-data.

The module supports the USB 2.0 high-speed interface with data rates of 480 Mbit/s.

The firmware can be updated from the PC. Updates are available on the esd website.

Libraries for the higher layer protocols CANopen and J1939 are available.

Additional free-of-charge esd CAN tools for Windows offer efficient setup and analysis of CAN applications and networks.



### Technical Specifications:

USB Interface and Microcontroller:	
USB	USB 2.0, bit rate 480 Mbit/s
Microcontroller	ARM 7, 32-bit 60 MHz
CAN Interface:	
CAN interface	High-speed CAN interface acc. to ISO 11898-2, differential, electrically isolated, bit rate up to 1 Mbit/s
General:	
Ambient temperature	0 °C ... +50 °C
Relative humidity	Max. 90 % (non-condensing)
Supply voltage	via USB: 5 V
Case dimensions	55 mm x 55 mm x 25 mm
Weight	70g
Connectors	CAN: 9-pin DSUB (male) USB: series B-type USB (female)

Order Information:		
Hardware		Order No.
CAN-USB/2	USB 2.0, 1x CAN, ISO11898	C.2066.02
CAN layer 2 drivers for Windows and Linux are included in delivery.		

Software Support		
CANopen object licences including CD-ROM <sup>1</sup> :		
CANopen-LCD Windows		C.1101.06
J1939 Stack object licenses including CD-ROM <sup>1</sup> :		
J1939 Stack for Windows		C.1130.10
J1939 Stack for Linux via Linux CAN (SocketCAN) and NTCAN wrapper library		C.1130.11

<sup>1</sup> For detailed information about driver availability for your operating system please contact our sales team.