

# CAN-PN

## PROFINET<sup>®</sup>-IO / CAN Gateway



### Fast and Reliable Linking PROFINET-IO and CAN with Data Buffering

- Operation as PROFINET-IO device
- High-speed CAN interface acc. to ISO 11898-2

CAN-PLC link, e.g. to SIEMENS S7-300, S7-400, S7-1200 or S7-1500

### Configuration with Standard Tools

- Configuration e.g. via PLC SIMATIC Manager or TIA Portal

### Linking PROFINET and CAN

The module CAN-PN can link any PROFINET-IO controller to a CAN network. The CAN-PN gateway itself operates as a PROFINET-IO device with a maximum of 256 bytes input data and 256 bytes output data on the PROFINET bus.

### Applications

The CAN-PN connects CAN modules with CANopen (CiA<sup>®</sup> DS 301) or layer-2 (ISO 11898-1) applications to e.g. a SIMATIC-S7. The number of logical CAN nodes is not limited by the gateway.

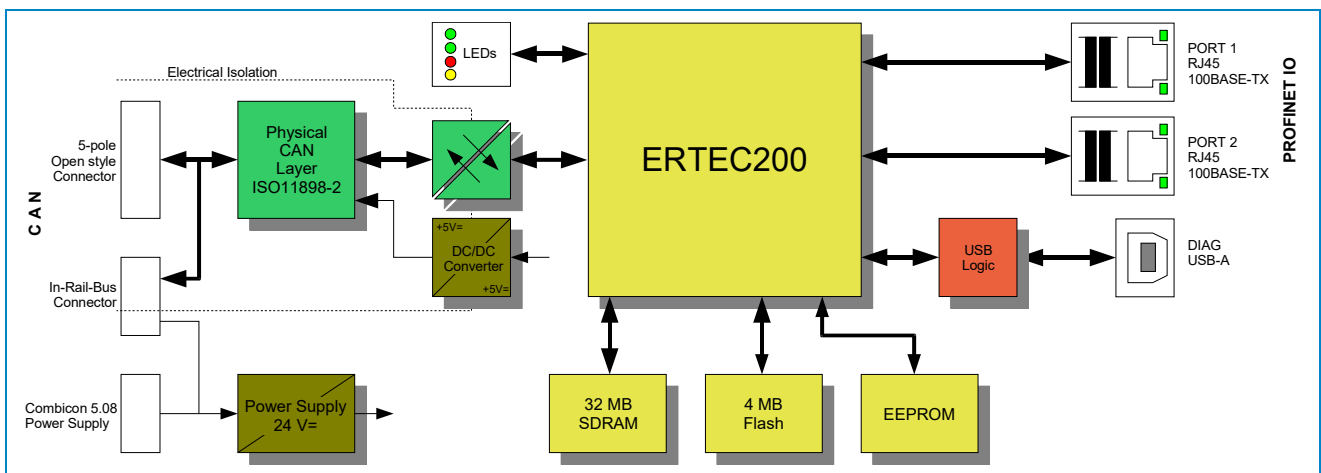
### Physical Interfaces

The CAN high speed (ISO 11898-2) compatible interface allows a maximum data-transfer rate of 1 Mbit/s. The 100 BASE-TX PROFINET interface is compatible to IEEE802.3 and runs with 100 Mbit/s. The PROFINET as well as the CAN interface are electrically isolated.



### Configuration and CAN Protocols

The module can be configured via PROFINET configuration tool, e.g. the PLC SIMATIC Manager or the TIA Portal. No additional configuration tools are required!



### Technical Specifications:

<b>CPU:</b>	
Micro controller:	ERTEC 200, 150 MHz
Memory:	32 MB SDRAM, 4 MB Flash
<b>CAN:</b>	
CAN controller:	SJA 1000, ISO11898-1
CAN interface:	5-pin open style 5.08 (CiA DR 303-1), 1 Mbit/s, ISO11898-2, electrically isolated
<b>PROFINET (PN):</b>	
PN controller:	ERTEC 200
PN interface:	2x RJ45, 100BASE-TX, 100 Mbit/s, IEEE 802.3, electrically isolated

<b>General:</b>	
Power supply:	typ. 24 VDC / 120 mA min./max.: 18 VDC / 32 VDC
Operating temperature:	0 ... +50 °C
Dimensions:	22.5 mm x 99 mm x 114.5 mm
Connectors:	CAN: 5-pin open style 5.08 (CiA DR 303-1) PN: 2x RJ45 power: 4-pin spring force plug
<b>Order information:</b>	
Designation	order no.
CAN-PN	PROFINET IO-CAN gateway, documentation and GSDML-file (on CD) C.2920.02