



CAN-PCIe/200

PCI Express® CAN Interface (Layer 2, CANopen® or J1939)

1 or 2 Channel low-cost CAN Interface for PCs

- Passive high-speed CAN interfaces according to ISO 11898-2, electrically isolated
- PCIe® interface according to PCI Express Specification R1.0a
- Software drivers for Windows® and Linux® included free of charge

Real-time OS Support and Higher Layer Protocols CANopen and J1939

- Software drivers for QNX®, RTX, VxWorks® and On Time RTOS-32
- CANopen® and J1939 protocols available

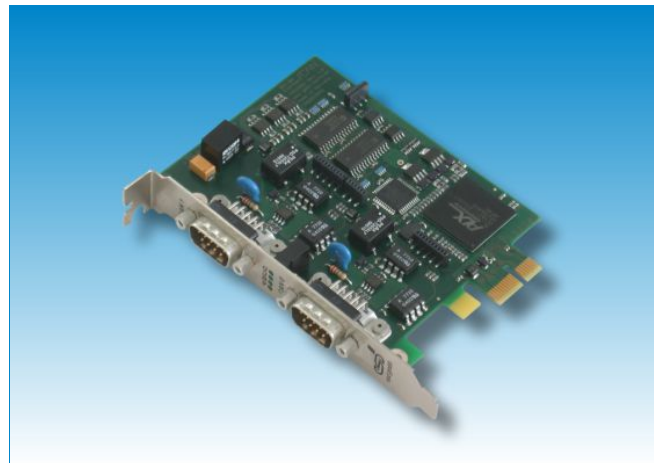
Full Compatibility with Applications written for esd's NTCAN-API

Powerful CAN Interface for PCs

The CAN-PCIe/200 is a PC board designed for the PCI Express bus that features one (CAN-PCIe/200-1) or two (CAN-PCIe/200-2) CAN High-Speed interfaces acc. to ISO 11898-2.

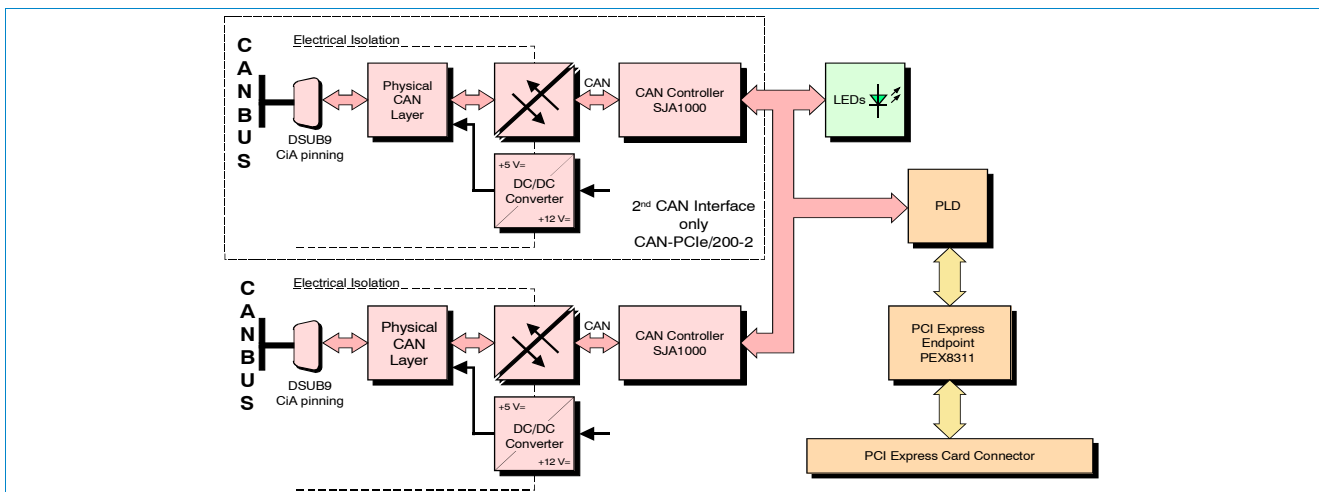
Software Support

CAN layer 2 (NTCAN-API) software drivers are available for Windows, Linux, RTX and RTX64, VxWorks, QNX, and OnTime RTOS-32.



Libraries for the higher layer protocols CANopen and J1939 are available.

Additional free-of-charge esd CAN tools for Windows are downloadable from our website. The tools offer efficient setup and analysis of CAN applications and networks.



Technical Specifications:

PCI Express interface:	
PCIe endpoint	PEX8311
PCIe-port	According to PCI Express Specification R1.0a
Link width	x1
CAN:	
CAN controller	SJA1000, ISO11898-1 (CAN2.0)
CAN interface	Differential, electrically isolated, ISO11898-2 (1 Mbit/s)
General:	
Ambient temperature	0 °C ... +50 °C
Relative humidity	Max. 90 % (non-condensing)
Supply voltage	3.3 VDC / 200 mA (typ.) and +12 VDC / 80 mA (typ.)
Add-in-card-size	Height: 111.15 mm (standard) Length: 80 mm
Weight	Approx. 85 g
Connectors	CAN: 9-pole DSUB (male)
LEDs	4 status LEDs

Order Information:

Hardware	Order No.
CAN-PCIe/200-1 1x CAN, ISO11898-1, -2	C.2042.02
CAN-PCIe/200-2 2x CAN, ISO11898-1, -2	C.2042.04

CAN layer 2 drivers for Windows and Linux are included in delivery.

Software Support

Real-time OS layer 2 object licences including CD-ROM ¹ :	
CAN-DRV-LCD QNX	C.1101.32
CAN-DRV-LCD RTX	C.1101.35
CAN-DRV LCD VxWorks	C.1101.55
CAN-DRV LCD OnTime-RTOS-32	C.1101.45
CANopen object licences including CD-ROM ¹ :	
CANopen-LCD Windows/Linux	C.1101.06
CANopen-LCD QNX	C.1101.17
CANopen-LCD RTX	C.1101.16
CANopen-LCD VxWorks	C.1101.18
J1939 Stack object licences including CD-ROM ¹ :	
J1939 Stack for Windows	C.1130.10
J1939 Stack for Linux	C.1130.11
J1939 Stack for RTX	C.1130.12

¹ For detailed information about driver availability for your operating system please contact our sales team. C/A® and CANopen® are registered community trademarks of CAN in Automation e.V. All other trademarks are reserved by their respective owners.