

CAN-EtherCAT

EtherCAT®-CAN Gateway



EtherCAT®

Seamless Connection between EtherCAT and CAN

- High-speed CAN interface (ISO 11898-2)
- 100BASE-TX EtherCAT interface (IEEE 802.3)

User-Friendly Configuration

- Configuration via EtherCAT master and standard EtherCAT configuration tools
- EtherCAT slave functionality according to ETG Modular Device Profile No. 5000

EtherCAT Network Extension

- Ethernet-over-EtherCAT (EoE) support to connect Ethernet devices to EtherCAT
- Firmware upgradable

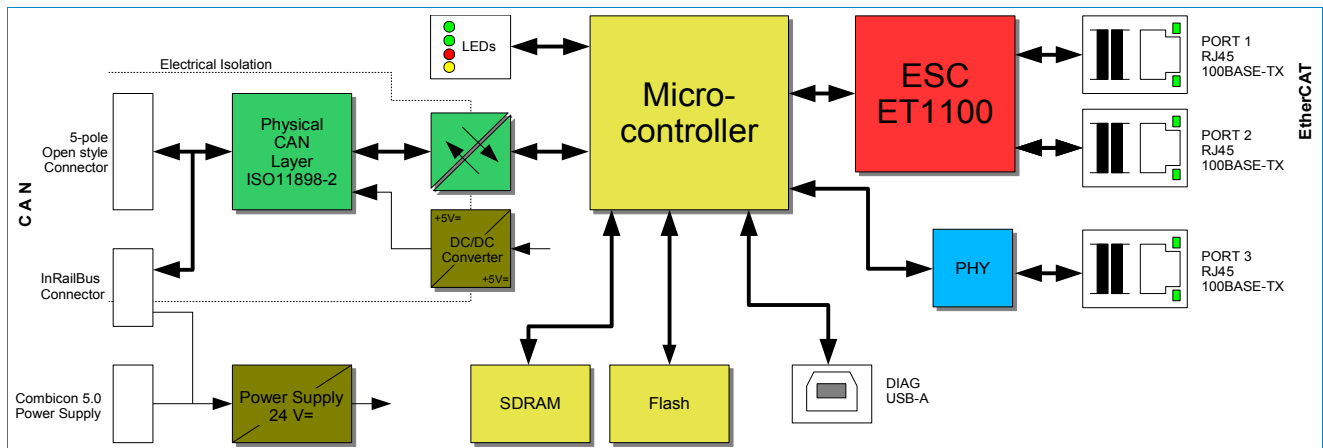
Linking EtherCAT and CAN

The CAN-EtherCAT gateway can link CAN modules with CANopen® (CiA® DS 301) or layer-2 (ISO 11898-1) implementation to a real-time EtherCAT network. The EtherCAT slave functionality is in accordance with ETG Modular Device Profile No. 5000. The module can also be configured as Ethernet switch port using the EoE protocol. Firmware updates are possible via web interface (EoE) or FoE (File access-over-EtherCAT).



Physical Interfaces

The CAN high speed (ISO 11898-2) compatible interface allows a maximum data-transfer rate of 1 Mbit/s. The 100BASE-TX EtherCAT interface is compatible to IEEE 802.3 and runs with 100 Mbit/s. The EtherCAT as well as the CAN interface are electrically isolated.



Technical Specifications:

CPU:	
Microcontroller	ARM9, 200 MHz
Memory	32 MB SDRAM
CAN:	
CAN controller	ISO 11898-1
CAN interface	5-pin open style 3.81 (CiA DR 303-1), 50 kbit/s - 1 Mbit/s, ISO 11898-2, electrically isolated
EtherCAT Slave Controller (ESC):	
ESC ASIC	ET1100
ESC interface	2x RJ45, 100BASE-TX, 100 Mbit/s, IEEE 802.3, electrically isolated

General:	
Operating voltage	Nom.: 24 VDC/ 150 mA Min./max.: 18 VDC / 32 VDC
Ambient temperature	0...50 °C
Relative humidity	Max. 90%, non-condensing
Dimensions	22.5 mm x 99 mm x 114.5 mm (dimensions without mating connectors)
Weight	130 g
Connectors	CAN: 5-pin open style, 3.81 EtherCAT: 2x RJ45 Power: 4-pin open style, 5.0

Order Information:	
Hardware	Order No.
CAN-EtherCAT	EtherCAT / CAN gateway, documentation on CD C.2922.02

©2013 esd electronic system design gmbh, Hannover All data are subject to change without prior notice.
I:\Texte\Doku\ENGLISH\Blue\CAN-EtherCAT_Datasheet_en_13.odt

CiA® and CANopen® are registered community trademarks.
EtherCAT® is a registered trademark and patented technology.
All trademarks are reserved by their respective owners.