

Switch16/Com3

Netintegrator with COM Server and Ethernet Switch

Gigabit Ethernet Switch with integrated COM Server

- 16 Ethernet ports via RJ45 sockets, 10BASE-T/100BASE-TX/1000BASE-T
- Manageable switch architecture
- 3 Serial COM ports via DSUB9 which can be set up as virtual ports on the PC and configured as RS-232, RS-422 or RS-485 interfaces
- COM-Server with driver software for Windows® 7 and Windows 10
- Optional power supply for external device (via COM port connector)
- ARM® Cortex-A8 microcontroller
- Web-based configuration and services
- VLAN support
- SNMP statistics
- DHCP client or fixed IP

DIN Rail Mounted Ethernet Switch

- Designed for DIN-EN carrier rail mounting (TS 35)
- Robust metal housing
- All interfaces accessible via front panel

Easy-to use Configuration Tools

- Windows® based configuration tool for serial interfaces
- Integrated web server for switch configuration and management

Customization on Request

- CAN interface
- Router/Firewall functions



Netintegrator

The Netintegrator Switch16/Com3 operates as an Ethernet switch with an integrated COM server.

The Switch16/Com3 comes with 16 Ethernet ports via RJ45 sockets and 3 serial interfaces via DSUB9 connectors.

All interfaces are easily accessible via connectors in the front panel.

As device server for the COM interfaces and for the configuration of the Ethernet Switch an ARM Cortex-A8 CPU is equipped.

The CPU is connected via an additional internal Ethernet port.

COM Ports

The Switch16/Com3 provides 3 serial interfaces in the network, that can be accessed for example from a PC.

The serial interfaces of the COM ports can be switched per software between the standards RS-232, RS-422 and RS-485. A switchable 24V/1A power supply for external devices is incorporated in one of these serial interfaces.

microSD™ Card Slot

A microSD card slot is easily accessible from outside. It can be used for firmware updates.

Network Management

The usage of the VLAN (Virtual Local Area Network) improves the security and flexibility of the network.

The Switch16/Com3 supports web-based network management for statistics and monitoring.

Software Support

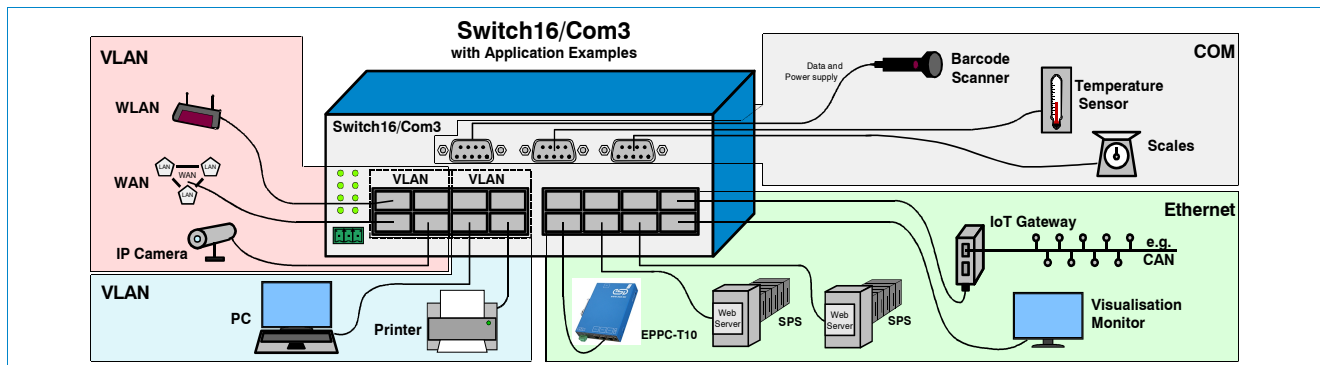
COM-Server with Driver Software for Windows 7 and Windows 10 (32 and 64 bit). To configure the serial interfaces on the host PC the Switch16/Com3 comes with an easy-to-use Windows based tool.

For the configuration of the Switch16/Com3 features via the integrated web server a standard web browser can be used.

Customization on Request

Customized options are available for customized serial production in reasonable quantities. Please contact our sales team for detailed information.

For example for CAN-Ethernet-Gateway applications an optional CAN interface can be equipped.



Technical Specifications:

Microcontroller and Memory:	
CPU	Sitara™ ARM Cortex-A8 AM3352, 800 MHz
Memory	RAM: 128 MByte DDR3L, Flash: 128 MByte serial NOR Flash
Interfaces:	
Ethernet	16 external Ethernet interfaces, IEEE 802.3, 10/100/1000 Mbit/s, RJ45 sockets
COM	3 COM ports, DSUB9, RS-232/RS-422/RS-485 switchable via software COM port A can be used as 24V/1A power supply, Standard: ANSI EIA/TIA-232-F, ANSI EIA/TIA-422-B
General:	
Ambient temperature	Operation: 0 °C ... +50 °C, Storage: -40 °C ... +85 °C

General (Continued):	
Rel. humidity	Max. 90 % (non-condensing)
Power Supply	24 V -15%/+20% (21,25 V up to 28,8 V), I _{MAX} = 500 mA
Dimensions	55 mm x 143 mm x 113,5 mm
Weight	450g
Order Information:	
Hardware	Order No.
Switch16/Com3 Manageable 16 port Ethernet Switch, 3 COM ports (RS-232/RS422/RS485), Switch16/Com3 esd-Netintegrator	A.1109.01

For detailed information about driver availability for your operating system please contact our sales team.