

CAN-DP

Profibus-DP / CAN Gateway

- fast and reliable linking Profibus-DP and CAN with data buffering
- CAN-PLC link, e.g. to SIEMENS S7-300 or S7-400
- no limitation on the number of CAN participants

Linking DP and CAN

The module CAN-DP can link any Profibus-DP master to a CAN network. The DP/CAN gateway operates as a slave-I/O component with a total of maximum 300 bytes data (up to 244 bytes input and 56 bytes output or up to 244 bytes output and 56 bytes input data) on the DP-bus.

Applications

With the CAN gateway you can couple CAN modules with CANopen or layer-2 implementation to e.g. a SIMATIC-S7. The number of CAN participants is not limited by the module.



Physical Interfaces

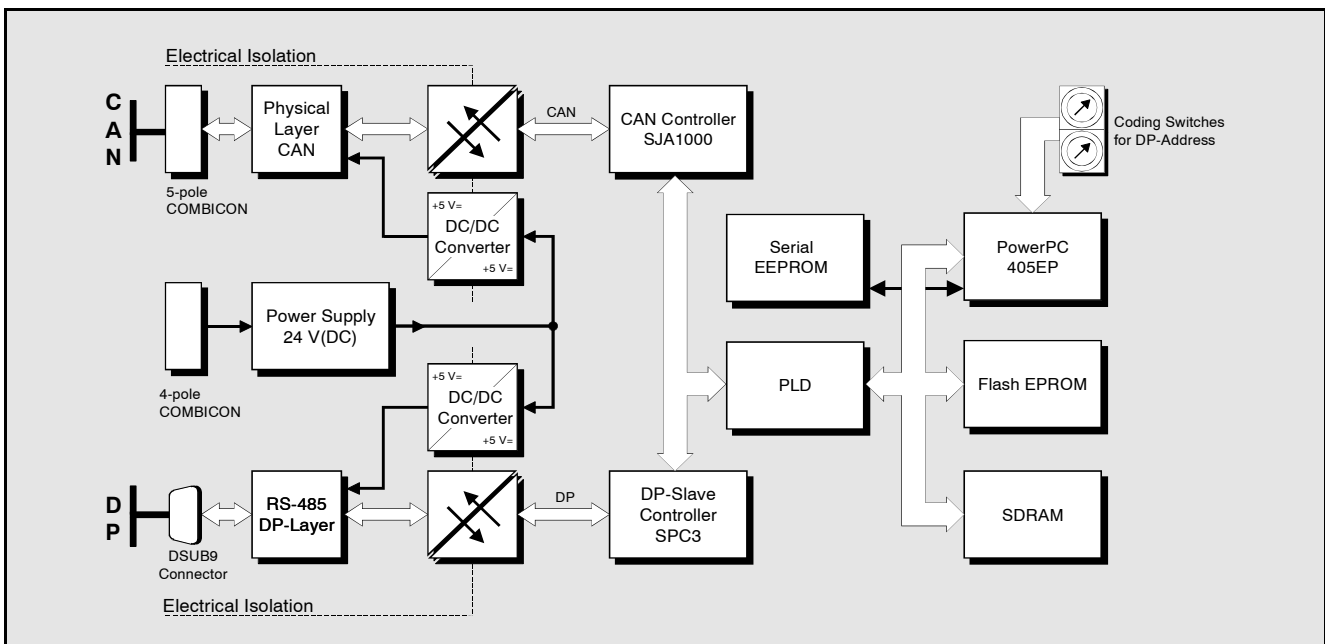
The ISO 11898-compatible CAN interface allows a maximum data-transfer rate of 1 Mbit/s. The Profibus-DP-Slave interface automatically recognizes all usual bit rates up to 12 Mbit/s.

The DP as well as the CAN interface are electrically isolated.

Configuration and CAN protocols

The module can be configured via PROFIBUS configuration tool, e.g. the PLC SIMATIC Manager.

CANopen is supported as layer-7 protocol on the CAN layer.



Technical Specifications:

CPU:	
Microcontroller:	PowerPC 405 EP, 133 MHz
Memory:	4 M x 32 bit SDRAM (16 MB), 1 M x 16 bit Flash EPROM (2 MB)
CAN:	
CAN controller:	SJA1000, CAN 2.0A/B
CAN interface:	differential, electrically isolated, 1 Mbit/s, ISO11898
Profibus-DP:	
DP controller:	SPC3, DP-Slave
DP interface:	RS-485, electrically isolated, max. 12 Mbit/s

General:	
Operating voltage:	nominal 24 VDC
Connectors:	CAN: 5-pole socket connector DP: 9-pole female DSUB power: 4-pole spring force connection plug
Order information:	
Designation	order no.
CAN-DP	DP-CAN gateway, layer-2, CAN 2.0A/B (11/29-bit CAN-ID), GSD-file C.2905.02
CAN-DP-ME	English user manual C.2905.21