

PMC-FIFO

2x 16 Bits FIFO Inputs, 16 TTL Inputs and 8 Outputs with TTL Level



2 FIFO-Ports 16 Bits Wide Each

The module PMC-FIFO is supported with 2x 16 FIFO inputs for TTL level signals. The FIFOs can be equipped as 4k-size, 16k-size or compatible circuits. Reading-in the FIFO inputs is controlled by two externally available write inputs. By two RESET inputs the FIFOs can be deleted externally. For a flexible read-out the FIFOs can generate interrupts at 'Empty', 'Half-Full', and 'Full'.

Digital Inputs and Outputs

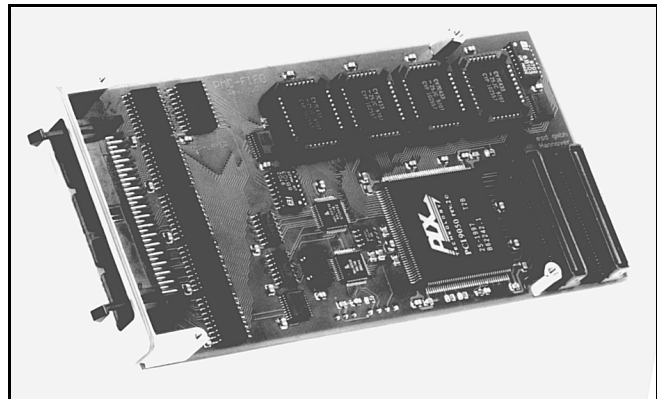
Furthermore the module has another 16 inputs and 8 outputs, which can be read or set by TTL-registers or TTL-drivers. 8 of the inputs can trigger an interrupt on the module.

Defined Power-On Performance

After a power-on or when receiving the RESET signal, all FIFOs and interrupts are deleted and the 8 digital outputs are set to 'high'.

Wiring

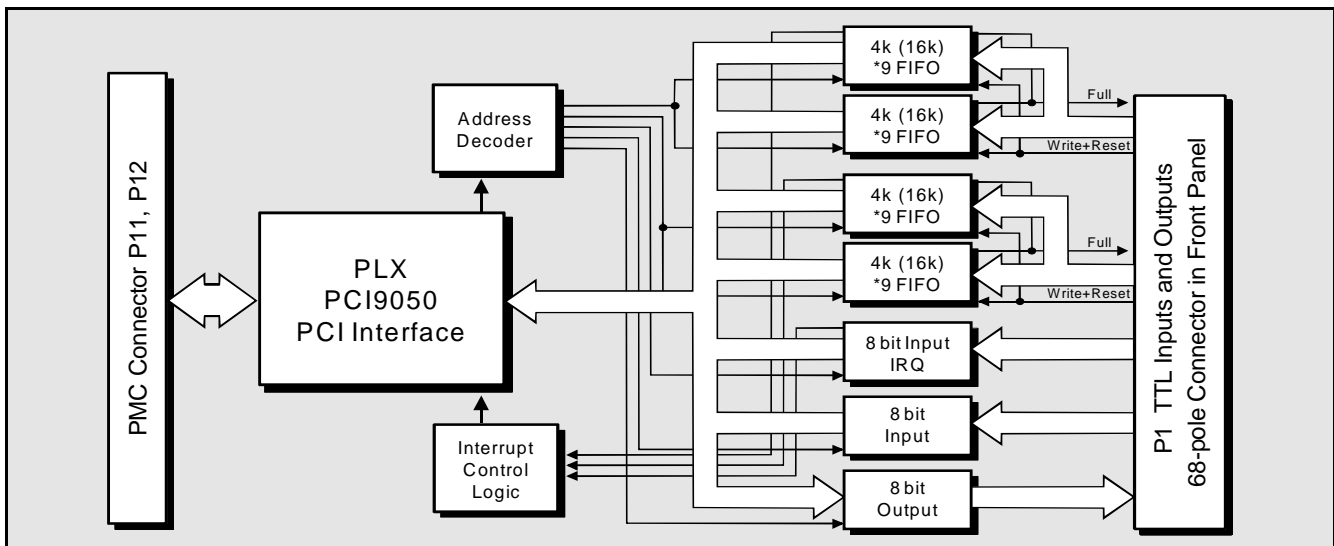
The TTL-inputs and outputs are connected by a 68-pole socket in the front panel.



Software Support

C-drivers in Source-Code are available for the operating systems OS9, VxWorks and RTOS-UH. The drivers offer services for the configuration of the FIFOs, for interrupt control and for reading and setting the inputs and outputs.

(This product is in life cycle stage end-of-life.)



Technical Specifications:

FIFOs:	
Number of FIFO inputs:	2x 16 (each either 4 K or 16 K depth, receiver 74LS244) 2x FIFO-write, 2x FIFO-RESET, (receiver 74LS14)
Number of FIFO outputs at P1:	2x FIFO-Full-Flag
Interrupts:	Empty, Half-Full, Full
Maximum transmission rates:	Write FIFO via P1: 10 MHz Read FIFO via PCI: 4 Mbyte/s
Digital I/Os without FIFO:	
Interrupt inputs:	8 inputs, receiver 74LS14
Static inputs:	8 inputs, receiver 74LS244
Outputs:	8 outputs, transmitter 74ALS537

General:		
Ambient temperature:	0...70 °C	
Connectors:	PMC: 2x 64-pole interface I/Os: 68-pole pin strips	
Voltage supply:	via PMC, 5 V / ca. 500 mA	
Order Information:		
Designation		Order No.
PMC-FIFO	2x 16 bits FIFO, each 4 k depth, 8 bits input (with IRQ), 8 bits input (without IRQ) 8 bits output	V.2010.01
PMC-FIFO-16K	16 K FIFO instead of 4 k (2x usable)	V.2010.10
PMC-FIFO-OS9	driver as C-Source for OS9	V.2010.50
PMC-FIFO-VxWorks	driver as C-Source for VxWorks	V.2010.56
PMC-FIFO-RTOS-UH	driver for RTOS-UH	V.2010.54
PMC-FIFO-ME	English user's manual	V.2010.21