



CPCI-USB-5

CompactPCI® USB 2.0 Interface with 6 USB Ports

Hi-Speed Data Transfer

- 5x Hi-Speed USB 2.0 via front panel
- 1x Hi-Speed USB 2.0 via on-board connector
- Up to 480 Mbit/s
- Fast connection to the application by using PCI busmastering

Robust Design

- Integrated health controller with overcurrent protection
- Fulfills EMC and EMI industry standard

Special Features

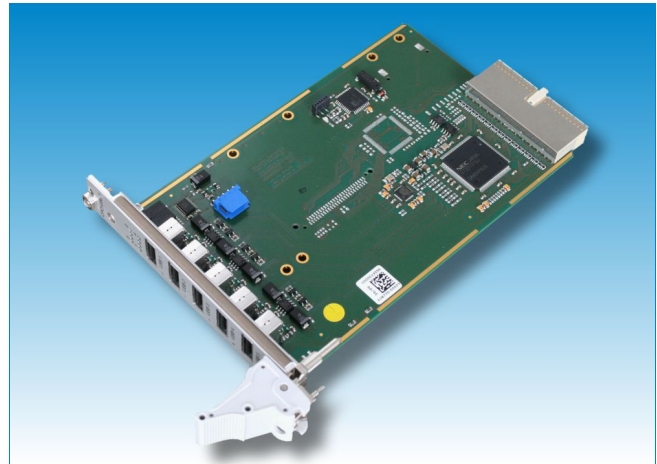
- Powering up USB ports sequentially
- 7 configurable LEDs

CompactPCI and USB

The CPCI-USB-5 is a CompactPCI board in 3U format. It is equipped with a NEC μ PD720101, a USB 2.0 host controller that supports 5 Hi-Speed USB 2.0 interfaces. One of them is multiplied by an on-board HUB.

The 5 external USB 2.0 interfaces are accessible via USB connectors (type A, female) in the front panel. The internal USB 2.0 interface is accessible via a 5-pin DUBOX connector located on the board. Power control and overcurrent protection are ensured for all 6 USB interfaces.

The CDC-device reduces the starting current by sequentially powering up the USB ports.

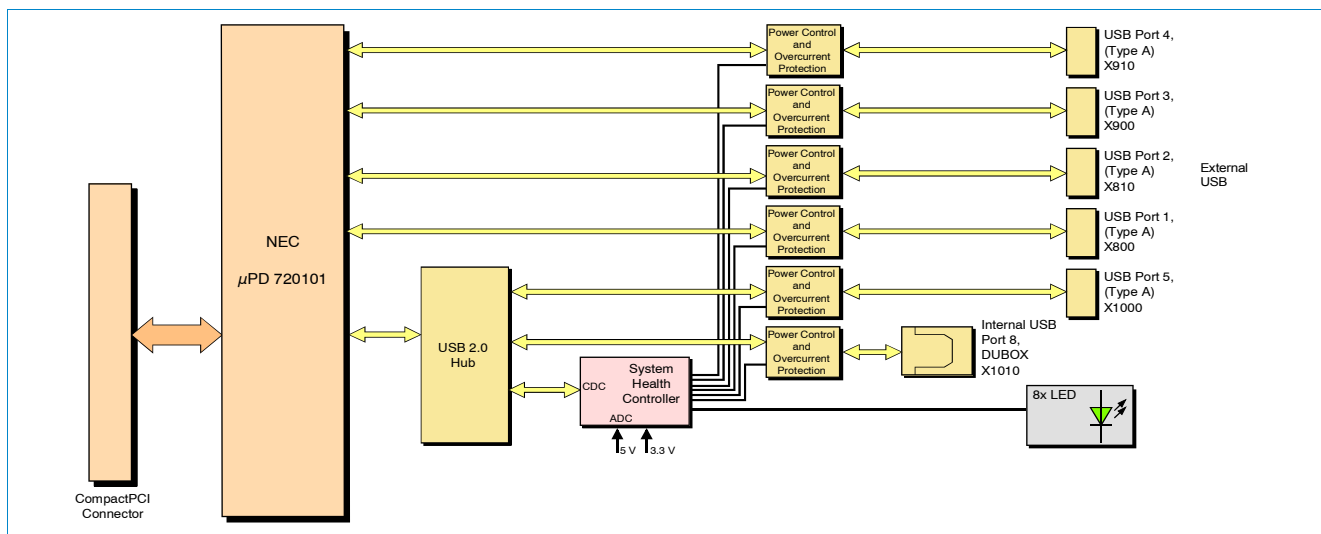


Seven user specific LEDs and one LED for the internal medium/device are located in the front panel.

Software Support

USB and LED driver support for Windows®, Linux® and QNX® operating systems available.

(This product is in life cycle stage end-of-life.)



Technical Specifications:

CompactPCI Bus:	
Interface:	PCI bus according to PCI Local Bus Specification 2.2, 32 bit, 33 MHz
Controller:	NEC μ PD720101
PCI Bus Voltage:	'Universal Board', 3.3 V (5 V tolerant)
USB:	
Interface:	5x USB 2.0, Hi-Speed via front panel, 1x USB 2.0 Hi-Speed via on-board connector
Host Controller:	NEC μ PD720101 USB 2.0 Host Controller, up to 480 Mbit/s
Environment:	
Conformity	EN 61000-6-2, EN 61000-6-4, EMC, RoHS, CE
Operating temperature:	0...50° C

General:		
LEDs	7x configurable LEDs	
Dimensions:	Euro Format (160 mm x 100 mm), with 3 U height, 4 HP width front panel	
Connectors:	USB External:	5x USB, type-A, female
	USB Internal:	1x 5-pin DUBOX male socket
Order Information:		
Hardware	Order No.	
CPCI-USB-5	CompactPCI USB 2.0 interface with 5x USB 2.0 via front panel, 1x USB on-board connector	I.2326.01