

# CPCI-COM4

## Multi I/O Serial Interface Board (RS-232/RS-422/RS-485/HDCL)

- 4x serial interfaces  
(RS-232 or HDLC/RS-422 or RS-485)
- 33/66 MHz CompactPCI® interface

### CompactPCI® Serial Interfaces

The CPCI-COM4 is a CompactPCI board in 3U format. It features 4 serial interfaces (RS-232, RS-422 or RS-485). Local data control and management is controlled by an FPGA.

### Connectivity

All I/Os are connected to a 37-pin DSUB connector in the front panel.

### HDLC

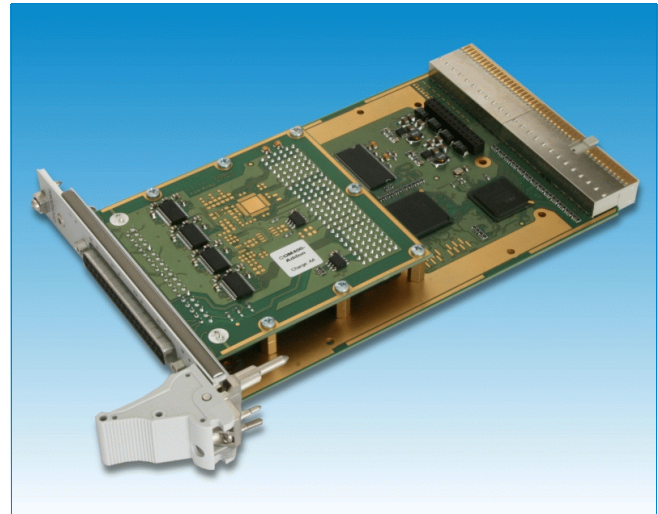
The HDLC protocol is supported on the 4 serial interfaces as input or output. Clock generation or -reception is configurable for each interface.

### IRIG-B

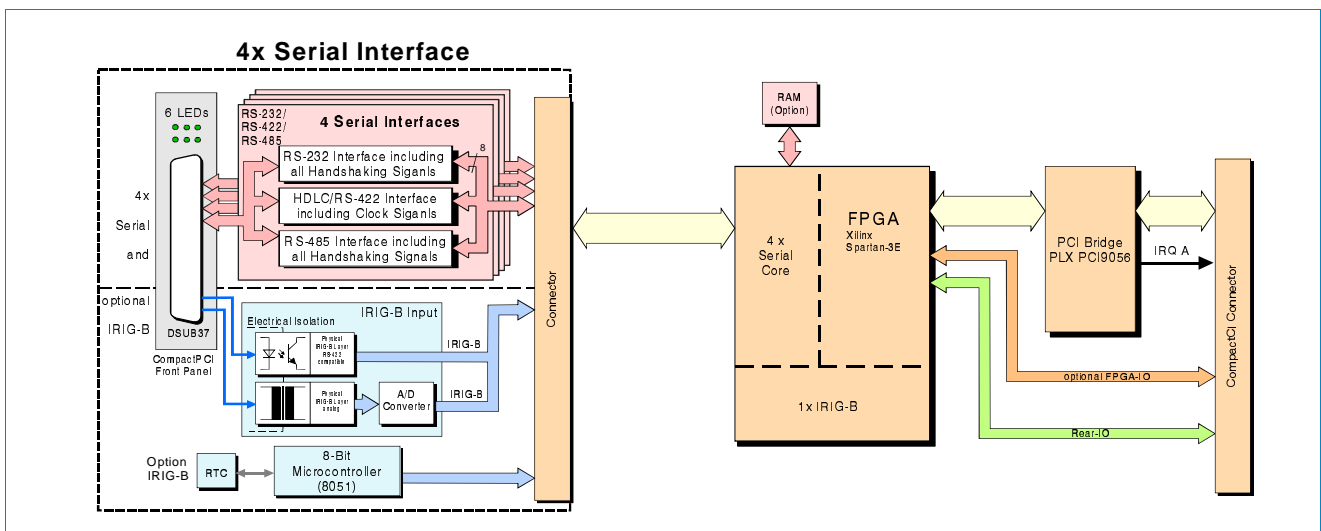
An IRIG-B option is available on request.

### Software

A Software driver is available for QNX®\*. Software drivers for VxWorks® or Windows® are available on request.



(This product is in life cycle stage end-of-life.)



### Technical Specifications:

CompactPCI Interface and Microprocessor:		General:	
Interface	PCI bus according to PCI Local Bus Specification 2.2, 32 bit 33/66 MHz, 3.3 V (5 V tolerant), PCI bus master capability	Ambient temperature	0 ...+50 °C,
Memory	BlockRAM: 72 KB DDR-SDRAM: 64 MB	Relative humidity	Max. 90 %, non-condensing
Serial Interface:		Power supply	5 V, 3.3 V
Interface	4x RS-232 or 4x RS-422 or 4x RS-485, Asynchronous (UART) bit rate up to 115 200 Baud	Connectors	CompactPCI: P1, P2 I/O: DSUB37 (female)
Interface Synchronous	HDLC/RS-422, bit rate up to 307.2 kBaud, incl. clock signals	LEDs	4x status serial interface, 1x module status
Order Information:		Hardware	order no.
		CPCI-COM4	configurable by software: 1.2328.01 4x RS-232 or 4x RS-422 or 4x RS-485
Software Support		CPCI-COM4-QNX	QNX* object licence 1.2328.15

\* For detailed information about the driver availability for your special operating system please contact our sales team.