

CPCI-HD

On-Board HD-Drive and Compact Flash Slot

- Single slot 3 HE, 4 TE
- On-board hard disk
- CompactFlash™ card slot in front panel

Hard Disk Drive On-Board

The module CPCI-HD is a CompactPCI board in Single Euro format. It is equipped with the IDE-Controller HPT370A that supports two IDE channels. One channel is used to control a CompactFlash slot and one is used to control the local HD drive. There are different HDdrive capacities available at the moment and the capacity may increase with the improvement of drive technology.

CompactFlash Card Interface

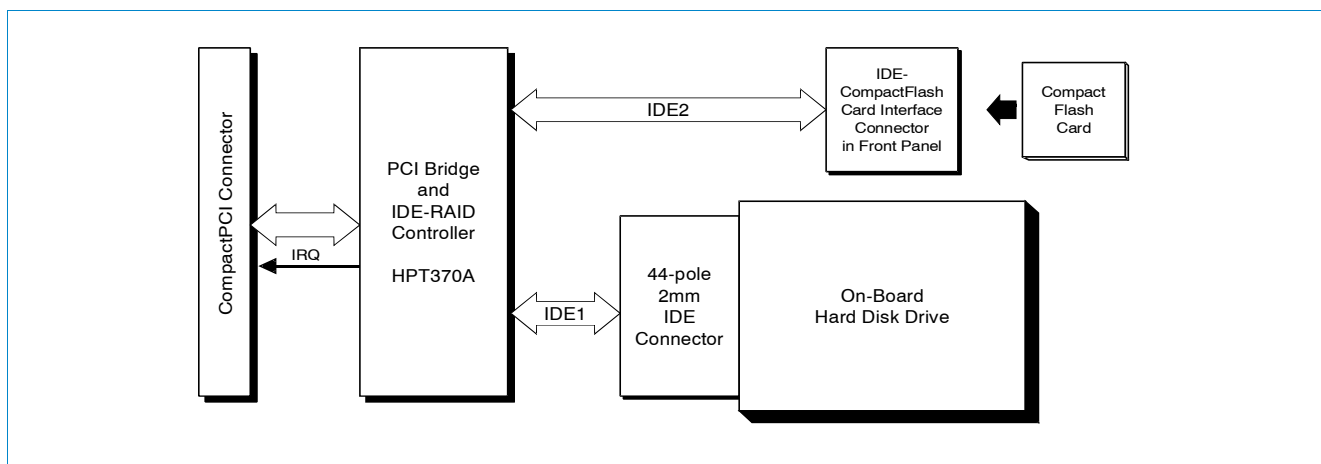
The board is equipped with a type I CompactFlash card holder. The card slot is accessible through the front panel. Data access is executed in 'True IDE' mode. As an option the board is available as CompactFlash slot only without the HD drive.

Software Support

The access to the HD drive and the CompactFlash card is possible with the standard system drivers of VxWorks, Linux, QNX and Windows NT/2000.



(This product is in life cycle stage End-of-life.)



Technical Specifications:

CompactPCI Connection:	
Interface	According to CPCI specification, Rev. 2.0
PCI-Bridge	HPT370A
Hard Disk Drive and CompactFlash:	
IDE controller	HPT370A
HD drive	Capacity 10 GB
CompactFlash	According to CompactFlash™ specification, type I CompactFlash card holder, 'True IDE' mode, 3.3 V power supply

General:	
Ambient temperature	0 °C ... +50 °C
Relative humidity	Max. 90 % (non-condensing)
Operating voltage	5 V, 3.3 V
Connectors	CompactFlash type I
Status LEDs	Power (5 V and 3.3 V), HD access, CompactFlash access
Dimensions	3 HE height, 4 TE width

Order Information:		
Hardware		Order No.
CPCI-HD only	10 GB HD drive,	1.2310.02
RTOS-UH and VxWorks	CompactFlash interface	