

# CAN-CSC595/2

## CAN - S5-PLC Interface Module



- Direct interface between PLC and CAN I/O modules
- Decentralized connection of analog and digital data to PLC

### PLC Connection

The communication processor CAN-CSC595 enables a direct interface between SIEMENS PLCs of types S5-95U, S5-100U or ET-100 respectively and CAN I/O modules or other CAN users.

With this it is also possible to perform a fast process data connection to VMEbus systems or to other PLC units.

To the PLC programmer the module offers a total process data transparency. There are no additional functions or data components necessary, so PLC programs run as usual.



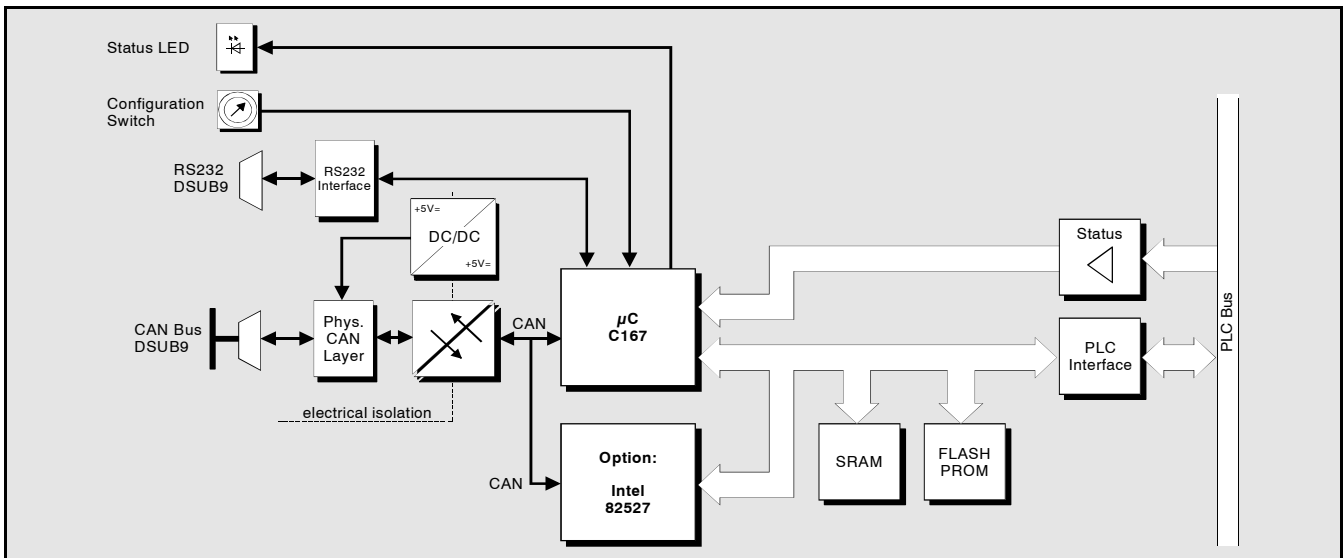
### Fast CAN Microcontroller

The CAN-CSC595 operates with a microcontroller C167C with integrated CAN interface.

The CAN interface, according to ISO 11898, allows a maximum data transfer rate of 1 Mbit/s.

The bit rate as well as all CAN identifiers can be set via the CAN bus or via the local RS-232 interface by means of the software. The configuration can be done via an RS-232 interface. The settings are stored in the local EEPROM.

(This product is in life cycle stage end-of-life.)



### Technical Specifications:

#### PLC interfacing:

|                  |   |
|------------------|---|
| PLC type:        | Siemens SIMATIC S5<br>S5-95U, S5-100U, ET-100 |
| Microcontroller: | C167C / 20 MHz                                |
| Interface:       | via dual-ported RAM                           |

#### CAN:

|                 |  |
|-----------------|--|
| CAN layer:      | differential, according to ISO11898,<br>1 Mbit/s |
| CAN interface:  | electrically isolated                            |
| Diagnostic LED: | module status displayed by green LED             |

#### General:

|                         |                           |
|-------------------------|---------------------------|
| Ambient temperature:    | 0...50 °C                 |
| Humidity:               | max. 90 %, non-condensing |
| Module operat. voltage: | rated value 9 VDC         |

#### General (continued):

|                    |  |
|--------------------|--|
| Power consumption: | typ. 250 mA                              |
| Connector types:   | CAN: 9-pole DSUB,<br>RS-232: 9-pole DSUB |
| Case:              | compatible to SIMATIC S5 bus module      |

#### Order information:

| Designation     |                             | order no.: |
|-----------------|-----------------------------|------------|
| CAN-CSC595/2    | Interface CAN / Siemens PLC | C.2902.02  |
| CAN-CSC595/2-ME | English user's manual       | C.2902.21  |