

CAN-Bluetooth

Intelligent CAN-Bluetooth-Interface

- CAN-network at Bluetooth
- wireless access to CAN networks
- Power supply with charging system and integrated accumulator

Powerful CAN-Interface for PDA or Laptop

The CAN-Bluetooth module is an intelligent CAN-interface with a PowerPC microcontroller for the local management and preprocessing of CAN-data. It works with a local Linux operation system.

CAN-Interface

The ISO 11898-compliant CAN-interface allows a data-transfer rate up to 1 Mbit/s. The bit rate, like many other parameters of the CAN-interface, can be configured by software. The configuration can be executed by a standard WEB browser.

Additional features of the interface are automatic bit rate detection and analog capture of the CAN bus signals.

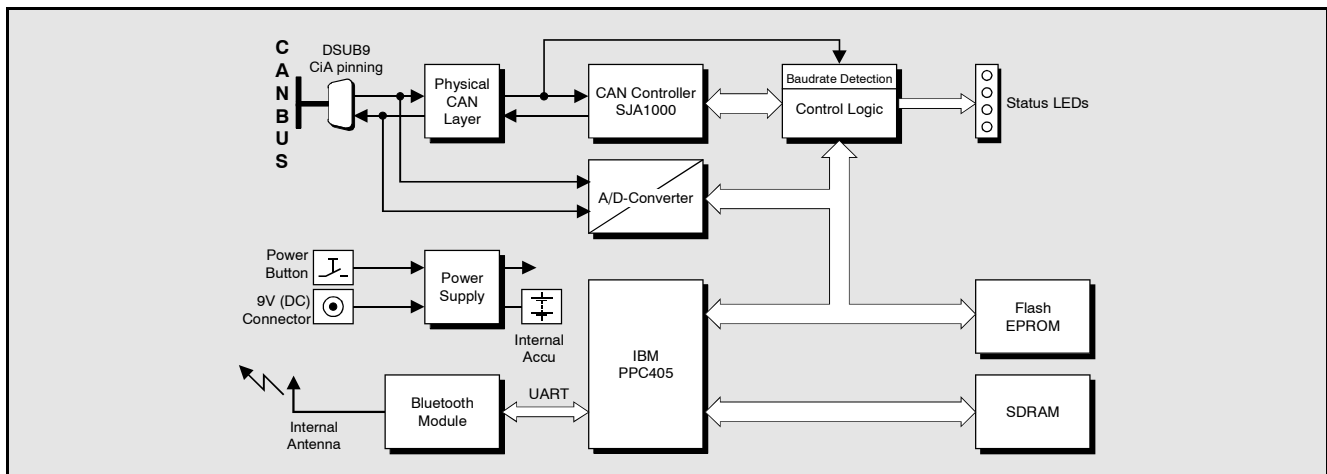
Software Support

Drivers for Windows 2000/XP are available.

The product package contains software examples and esd CAN-tools, e.g. the monitor program CANscope. The firmware in the Flash EPROM can be updated by means of a PC.



(This product is in life cycle stage end-of-life.)



Technical Specifications:

Bluetooth-interface and microcontroller:	
Bluetooth chip set:	Ericsson
Specification:	Bluetooth Specification 1.1
Supported profiles:	GAP (Generic Access Profile) Serial Port Profile, LAN Access Profile (for WEB browser based configuration)
Microcontroller:	IBM PPC405CR
Memory:	16 MB DRAM, 2 MB Flash EPROM
CAN:	
CAN-controller:	SJA1000, CAN 2.0A/B
CAN-interface:	differential, 1 Mbit/s, ISO11898
General:	
Case dimensions:	160 x 83 x 30 mm
Ambient temperature:	0...50 /C
Connectors:	CAN: 9-pole DSUB (male)
Supply voltage:	9...12 VDC(stabilized), 24 VDC (no accu)

General (continued):		
Supply current:	400 mA at 9 VDC	
Accumulator	internal, 1200 mAh	
Order information:		
Designation:		order no.
CAN-Bluetooth-BAT	1 x CAN 2.0A/B, ISO11898, power supply 9...12 VDC(stabilized), with internal accu, with wall plug style power supply 110...230 VAC	C.2065.02
CAN-Bluetooth	as C.2065.02, but without internal accumulator	C.2065.03
CAN-Bluetooth-24	1 x CAN 2.0A/B, ISO11898, power supply 24 VDC, without internal accumulator, without wall plug style power supply	C.2065.04
CAN-DRV-LCD	object licence for Windows incl. CD-ROM	C.1101.02
CAN-Bluetooth-Co	CANopen master/slave	C.2065.12