

# PMC-CAN/331

## Intelligent PMC-CAN-Interface

- PMC module with one or two independent CAN nets
- microcontroller 68331 on board

### Powerful CAN Interfaces on PMC Module

The module PMC-CAN/331 uses a 68331 microcontroller which cares for the local CAN-data management. The CAN data is stored in the local SRAM. Security and consistency of data is guaranteed up to 1 Mbit/s.

### CAN Interface

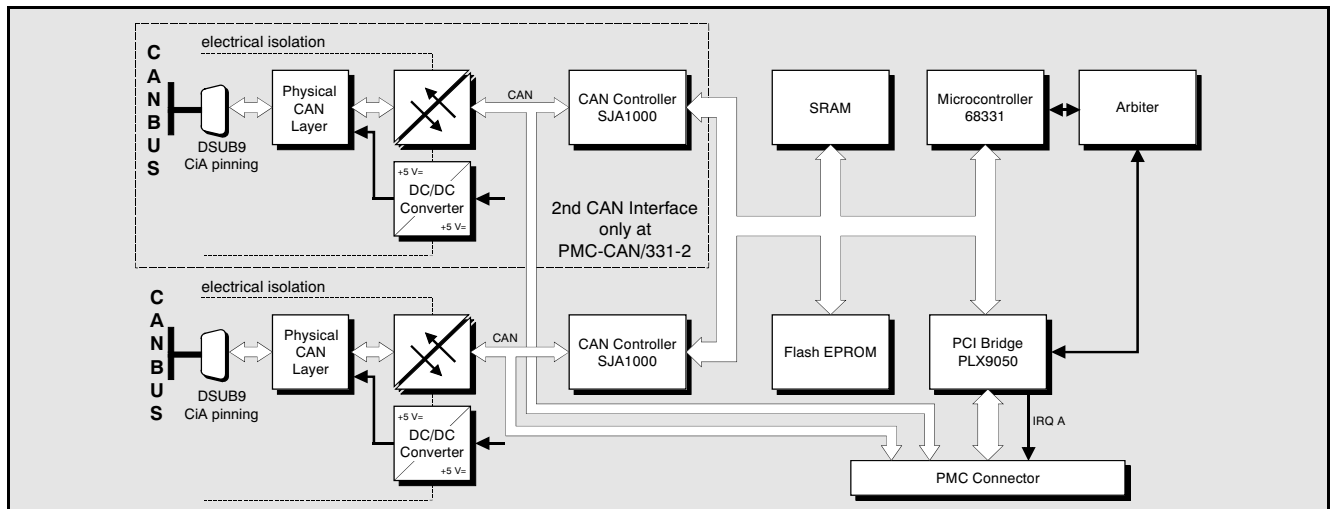
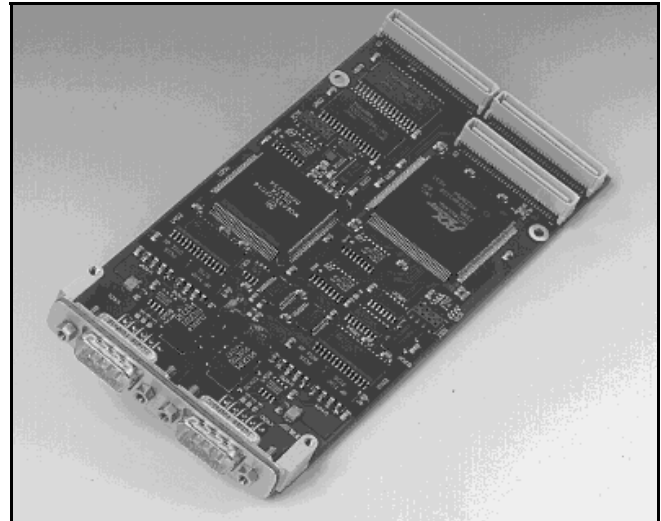
The ISO 11898 compliant CAN interfaces allow a data transfer rate of 1 Mbit/s. The CAN interfaces are electrically isolated from the other potentials by optocouplers and DC/DC converters.

### Software Support

The board is shipped with software examples in source code for DOS and Windows 3.11. Moreover, software drivers are available for Windows, Linux, VxWorks, LynxOS and RTOS-UH. Drivers for other operating systems are available as well.

### CAN Protocols

Software packages for CAL, CANopen or DeviceNet are available for Windows NT, Windows 95/98 or UNIX systems.



### Technical Data:

<b>PMC interface and microcontroller:</b>	
PCI bridge:	PCI9052
Microcontroller:	68331
Memory equipped:	128 k x 16 bit SRAM, 128 k x 8 bit Flash EPROM
<b>CAN bus:</b>	
CAN controller:	SJA1000, CAN 2.0A/B
CAN interface:	differential, electrically isolated, 1 Mbit/s, ISO11898, opt. DeviceNet
<b>General:</b>	
Ambient temperature:	0...50 °C
Supply voltage:	5 VDC
Connectors:	PMC: 2x 64-pole PMC connectors CAN: 2x 9-pole DSUB (male)

<b>Order information:</b>		
Designation		order no.:
PMC-CAN/331-1	1x CAN, ISO 11898	C.2025.02
PMC-CAN/331-2	2x CAN, ISO 11898	C.2025.04
PMC-CAN/331-1DN	1x DeviceNet	C.2029.02
PMC-CAN/331-2DN	2x DeviceNet	C.2029.04
CAN-DRV-LCD	Object licence f. Windows and Linux incl. CD-ROM	C.1101.02
PMC-CAN/331-VxW	VxW object licence	C.2025.57
PMC-CAN/331-Co	CANopen master/slave- object licence	C.2025.12
PMC-CAN/331-LynxOS-PPC	LynxOS object licence for PowerPC systems	C.2025.53
PMC-CAN/331-LynxOS-X86	LynxOS object licence for X86-systems	C.2025.59
PMC-CAN/331-RTOS/68k	RTOS-UH object licence for 68k-systems	C.2025.55
PMC-CAN/331-RTOS/PPC	RTOS-UH object licence for PowerPC systems	C.2025.54
PMC-CAN/331-ME	Hardware manual	C.2025.21
CAN-API-ME	Software manual	C.2001.21
CAL-CANopen-ME	CANopen manual	C.2002.21