

# ECX-ETH-Selector

EtherCAT® / Ethernet Selector for two Masters or Networks

### Designed to Build Redundant EtherCAT Master Systems

- One EtherCAT-G network connected to the primary or the secondary EtherCAT Master by a simple control signal
- Ideal to build up a redundancy at the EtherCAT Master side as extension to EtherCAT Technology Group Standard (ETG)

### Compatible for Ethernet Based Systems

- Flexible application range to switch one network between two Masters / PCs for all Ethernet based systems or field bus standards up to 1000BASE-T

### Optical Isolated Switching Signal

- The switching signal is optically isolated
- Characteristic according to DIN EN 61131-2, Type 3
- DIN-EN carrier rail mounting
- Ethernet physics according to IEEE 802.3

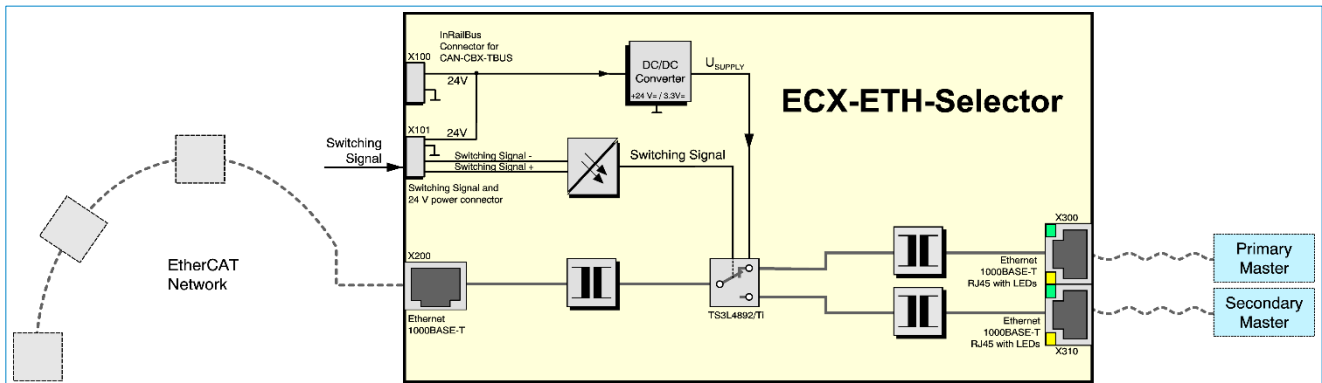


### EtherCAT-Ethernet-Selector

The ECX-ETH-Selector is equipped with a LAN selector. Controlled by a simple switching input signal, the ECX-ETH-Selector can connect for example an EtherCAT G network to one of two different EtherCAT Masters. The control signal is optically isolated.

### Mounting/Connection

The ECX-ETH-Selector is designed for DIN-EN carrier rail mounting. The module provides service-friendly 'wiring' of the supply voltage. The power supply can be applied via the In-Rail-bus connector (TBUS-connector) integrated in the mounting rail or separately via the clamp-connection.



### Technical Specifications:

<b>Control.:</b>	
LAN switch	TS3L4892/TI
<b>Ethernet Interfaces.:</b>	
Number	Primary and secondary EtherCAT Master, 1x EtherCAT network
Physical interfaces	According to IEEE 802.3
Bit rate	1000BASE-T, 10/100/1000 Mbit/s
<b>General:</b>	
Power supply voltage	24 V ± 20%; I <sub>max</sub> = 20 mA
Control voltage (off / on)	-5 ... +8 VDC / +11 ... +32 VDC; I <sub>max</sub> = 6 mA according to DIN EN 61131-2, Type 3
Ambient temperature	0 °C ... +70 °C
Relative humidity	Max. 90 % (non-condensing)
Protection class	IP20
Dimensions	22.5 mm x 99 mm x 114.5 mm (dimensions without mating connectors)
Mounting	DIN-EN carrier rail mounting (TS35)

<b>General (continued):</b>	
Weight	ca. 150 g
Connectors	2x RJ45 with LEDs: Primary and secondary EtherCAT Master 1x RJ45: EtherCAT network InRailBus Connector: Power supply, FE 1x MSTBO 2,5/4- G1L-KMGY: Power supply, control signal
<b>Order Information:</b>	
Hardware	Order No.
ECX-ETH-Selector	EtherCAT / Ethernet Master Selector for 1 Gbit connections, IEEE 802.3, 24VDC, rail mounting E.3025.01
<b>Related Product:</b>	
ECX-Master-Selector	Dual EtherCAT Redundant Master Selector, IEEE 802.3, 24VDC, rail mounting E.3021.01