

DN-CBM-DP

Profibus-DP / DeviceNet Gateway

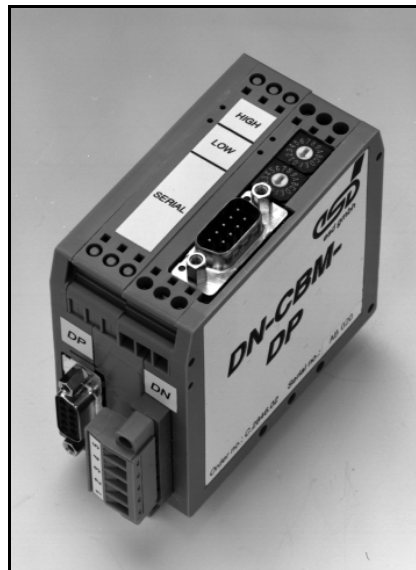
- fast and reliable linking DeviceNet and Profibus-DP with data buffering
- DeviceNet-PLC link, e.g. to SIEMENS S7-300 or S7-400
- no limitation on the number of DeviceNet participants

Linking DP and DeviceNet

The module DN-CBM-DP can link any Profibus-DP master to DeviceNet. The DN-CBM-DP gateway operates as a slave-I/O component with a total of maximum 312 bytes data (partitioning from up to 244 bytes input and 68 bytes output to 244 bytes output and 68 bytes input data) on the DP-bus.

Applications

With the DN-CBM-DP gateway you can couple modules with DeviceNet implementation to e.g. a SIMATIC-S7. The number of DeviceNet participants is not limited by the module.



Physical Interfaces

The DeviceNet interface is designed according to the DeviceNet Specification Rev. 2.0. All DeviceNet bit rates are supported. The Profibus-DP-Slave interface automatically recognizes all usual bit rates up to 12 Mbit/s.

The DP as well as the DeviceNet interface are electrically isolated by optocouplers and DC/DC converters.

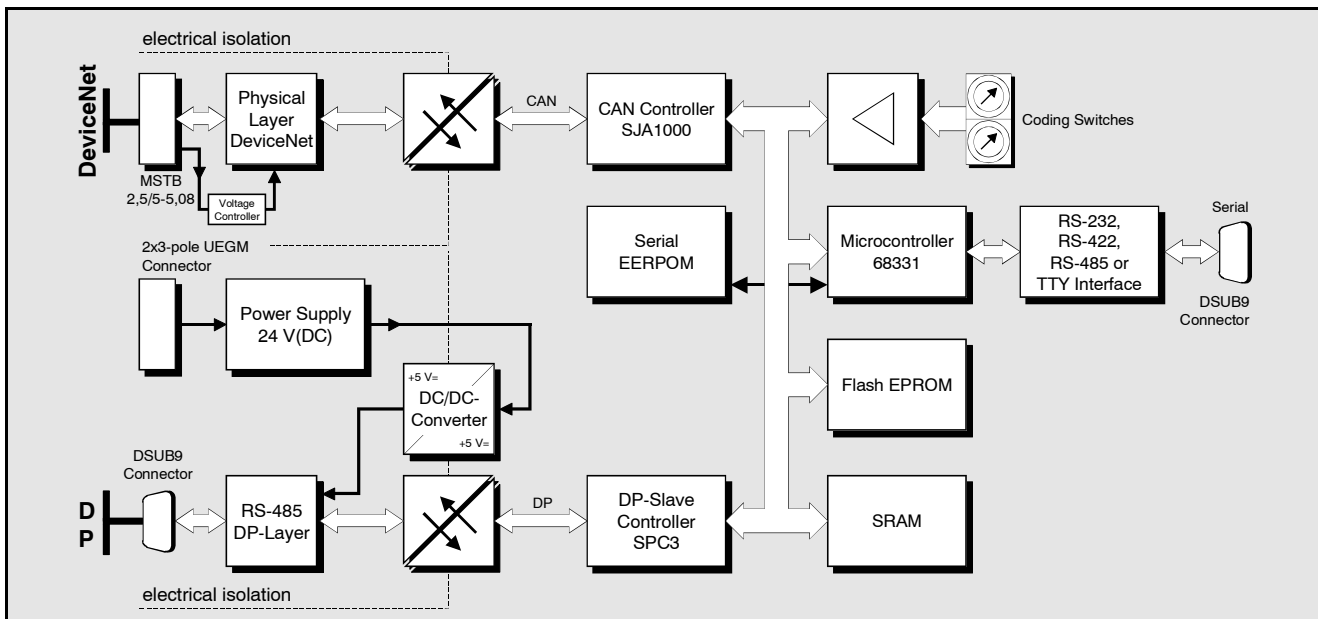
Serial interface

The module has a serial interface (default: RS-232) for service and configuration. It is connected by a DSUB9 connector.

Configuration and Protocol

For the I/O data mapping of the DP slave a configuration software for Windows95/98 or Windows NT is available. DeviceNet is supported as Layer-7 protocol.

(This product is not recommended for new designs.)



Technical Specifications:

CPU and serial interface:

Microcontroller:	68331, 25 MHz
Memory:	512 k x 16 bit SRAM, 128 k x 8 bit Flash EPROM
Available interfaces:	RS-232, RS-485, TTY, max. 38.4 kbit/s

DeviceNet:

CAN controller:	SJA1000, CAN 2.0A/B
Interface:	acc. to DeviceNet Specification Rev. 2.0, electrical isolation, all DeviceNet bit rates are supported

Profibus-DP:

DP controller:	SPC3, DP-Slave
DP interface:	RS-485, electrically isolated, max. 12 Mbit/s

General:

Operating voltage:	nominal 24 VDC
Connectors:	DeviceNet: 1x 5-pin connection socket DP: 9-pin female DSUB serial: 9-pin male DSUB power: UEGM screw connector

Order information:

Designation		order no.
DN-CBM-DP	DP-DeviceNet Gateway	C.2846.02
DN-CBM-DP-ME	English user's manual	C.2846.21