

CPCI-PS24

Low profile 120 W DC/DC Converter for CompactPCI

CompactPCI power supply

- Input: 24 V / 120 W
- Output: 3.3 V / 15 A and 5.0 V / 10 A
- DIN 41612 type H connector

CE - compliance

- High noise immunity (industry)
- Low emission (class B)

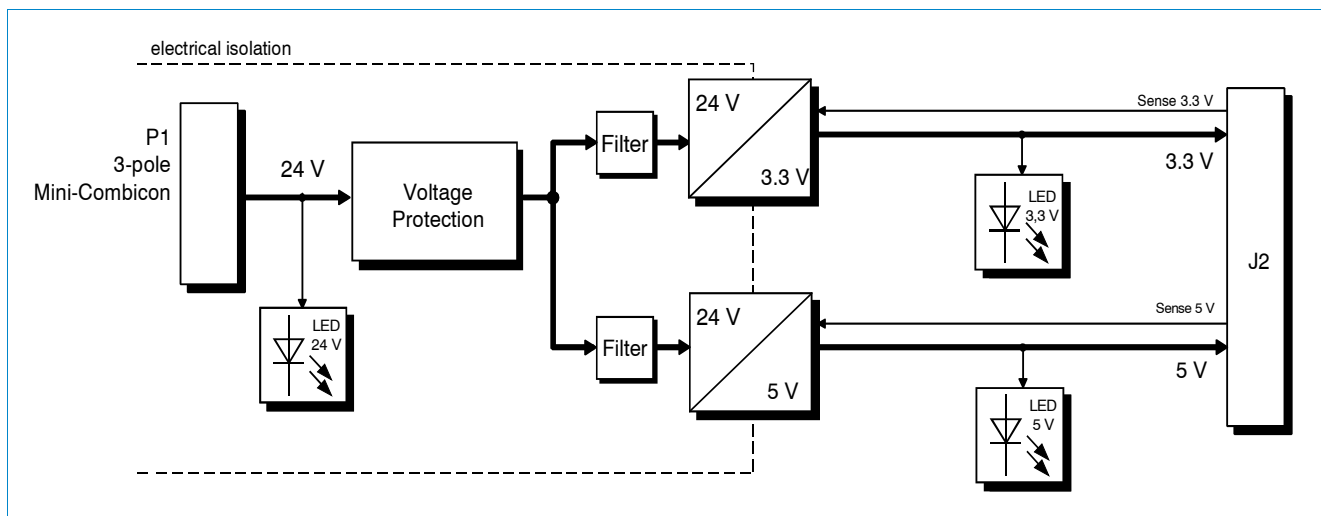
Small form factor

- Only one slot (4 HP) wide
- Passive cooling

CompactPCI Power Supply

The CPCI-PS24 is powered with 24V and offers output voltages of 3.3 V and 5 V. The electromagnetic behavior is in compliance with rough industrial environment as well as commercial or home area.

The board is designed to fit in CompactPCI rack systems with 3 U height. It is equipped with a standard CPCI front panel. The 24 V input voltage is fed via a connector in the front panel. LEDs display the status of input and outputs.



Technical Specifications:

Voltages:	
Input voltage	24 V typical, 18 V... 34 V valid voltage range, reverse voltage protection
Output voltage	5 V, $\pm 3\%$, max. 50 W 3.3 V, $\pm 3\%$, max. 50 W electrically isolated from output SELV / class III equipment acc. EN 60950
Power consumption	max. 120 W
General:	
CE (EMV)	EN 61000-6-2 Surge: 500 V Electrostatic discharge: 4 kV contact / 8 kV air Burst: 2 kV Electromagnetic field: 10V/m Conducted disturbance: 10V EN 61000-6-3 Emission: class b

Ambient temperature	0...50°C
Humidity	max. 90 %, non-condensing
Dimensions	3 U, 4 HP / 100 mm x 160 mm
Weight	269 g
Connectors	input voltage: 3-pole Mini-Combicon output voltage: 5-pole male connector, DIN 41 612, type H

Order Information:		
Hardware		Order No.
CPCI-PS24	Power supply unit	I.2301.05