

CPCI-PN-DEV

PROFINET® IO/CompactPCI® Interface



Linking PROFINET IO and CompactPCI

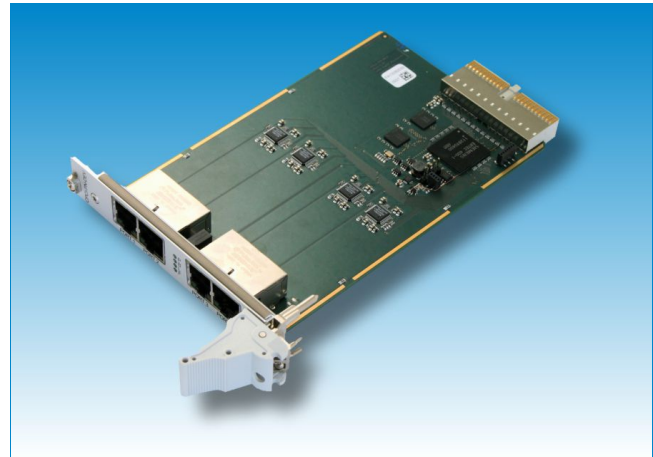
- Fast and reliable PROFINET IO device interface for CompactPCI systems with data buffering
- CompactPCI-PLC link, e.g. to SIEMENS S7-300 or S7-400
- Cost effective: 4 ports onboard

Design with established Siemens ERTEC400

- PROFINET IO ports via RJ45 sockets in the front panel
- CompactPCI bus according to PIC-MG® 2.0 R2.1

High-Performance PROFINET IO Connection

- Large process image
- 4 PROFINET IO ports onboard for flexible wiring
- PCI bus master capability
- Software support is available for QNX®.
Drivers for several operating systems are available on request.



PROFINET IO/CompactPCI Interface

The CPCI-PN-DEV can link any PROFINET IO controller to a CompactPCI system and operates as a PROFINET IO device with a maximum of 1440 bytes input data and 1440 bytes output data on the PROFINET IO bus.

Four PROFINET IO ports, accessible via the front panel, give an excellent base for PROFINET IO applications.

Applications

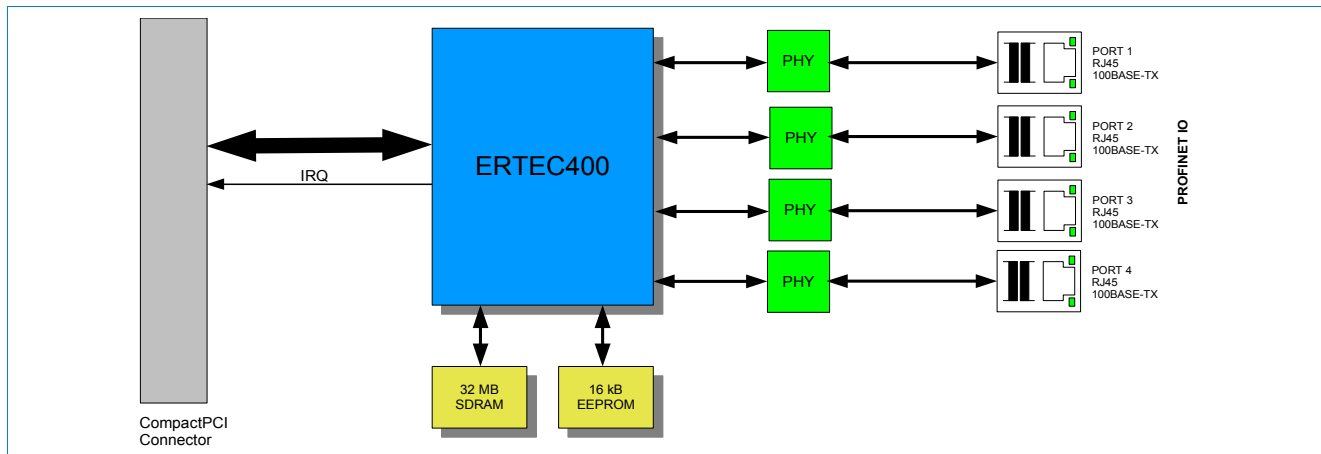
The CPCI-PN-DEV integrates a CompactPCI-based application into the PROFINET IO network, e.g. a SIMATIC-S7.

Physical Interfaces

The CPCI-PN-DEV is a CompactPCI board in 3U format. The 100 BASE-TX PROFINET IO interface is compatible to IEEE802.3 and runs with 100 Mbit/s. The PROFINET IO interface is electrically isolated.

Configuration

The module can be configured via PROFINET IO configuration tool, e.g. the PLC SIMATIC Manager. No additional configuration tools are required!



Technical Specifications:

| CompactPCI Interface and Microcontroller: | |
|---|--|
| Micro controller | ERTEC® 400, 150 MHz |
| Memory | 32 MB SDRAM |
| CompactPCI bus | According to PIC-MG® 2.0 R2.1, 32 bit, 33/66 MHz, 3.3 V/5 V signals, PCI bus master capability |
| PROFINET IO (PN) Interface: | |
| PN controller | ERTEC 400 |
| PN ports | 4x 100BASE-TX, IEEE 802.3, 10/100 Mbit/s, RJ45-connector |

| General: | |
|---------------------|---|
| Ambient temperature | 0 °C ... +50 °C |
| Relative humidity | Max. 90 % (non-condensing) |
| Power supply | 3.3 V (I _{3.3V_TYPICAL} = 400 mA) |
| LEDs | 2 LEDs per PROFINET IO port, integrated in the RJ45 connector |
| Dimensions | 3U x 4HP |

| Order Information: | | |
|--------------------|------------------------------------|-----------|
| Hardware | | order no. |
| CPCI-PN-DEV | PROFINET IO / CompactPCI interface | I.2329.02 |
| Software Support | | |
| CPCI-PN-DEV-QNX | QNX driver | I.2329.36 |
| CPCI-PN-DEV-Linux | Linux driver | I.2329.19 |