

CPCI-DIO1616/2

16 Digital Inputs and 16 Digital Outputs



CompactPCI® Interface with Digital Inputs and Digital Outputs

- 16 digital inputs 24 V
- 16 digital outputs 24 V, 250 mA
- All inputs and outputs are electrically isolated

Outputs with Short Circuit and Overload Protection

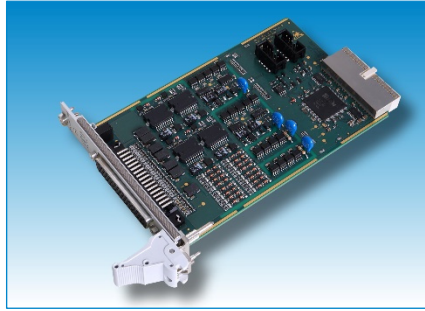
- Error detection signal
- USER LED for debugging or user-specific status signalling

Individual Interrupt on each Input Channel

- Flexibly configurable for rising or falling edges, and for the error signals of the outputs

Customization on Request

- Other division of I/Os (e.g. more Inputs less Outputs)
- Outputs designed for higher current.
- Inputs with other switching thresholds.



Digital Inputs and Outputs

The module CPCI-DIO1616/2 is a CompactPCI board in Eurocard format. It comes with 16 inputs and 16 outputs. All inputs and outputs are electrically isolated divided into groups of 8.

The 16 inputs are designed for 24 V. Each input can be configured individually to generate an interrupt triggered by rising or falling edge input signals.

The 16 digital outputs are designed as 24V high-side switch. They are protected against overtemperature and short circuit. The error signals of the output drivers can be read. IRQs on errors can be activated.

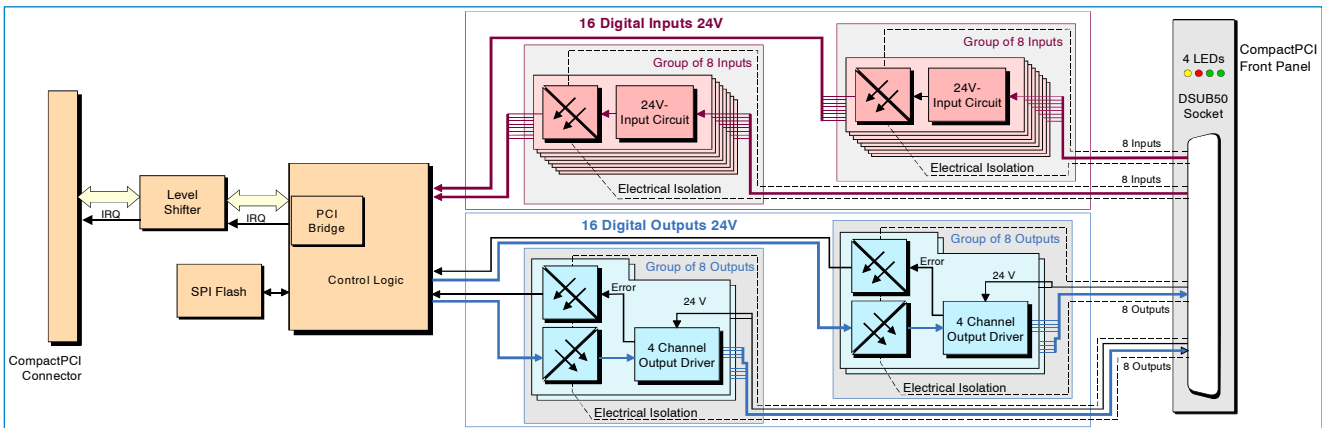
For an easier connection of the inputs and outputs, a passive module can be connected to the DSUB50 connector via a ribbon cable.

Software Support

Drivers available for Windows®, Linux®, VxWorks® and QNX®. Drivers for other operating systems are available on request.

Customization on Request

Customized options are available for customized series production in reasonable quantities. Please contact our sales team for detailed information.



Technical Specifications:

CompactPCI.:	
Interface	According to CompactPCI specification, V 2.0
PCI bridge	PCI9030, FPGA based
I/O-Control	Integrated in FPGA
16 Digital Inputs:	
Input voltage	-20 V ≤ U _{IN} ≤ 33 V
Switching threshold	'0': U _{IN} < 9 V, '1': U _{IN} > 16,5 V
Electrical isolation	by optocouplers, each 8 inputs use one common GND
16 Digital Outputs:	
Driver supply voltage	U _{VCC} = 9.5 V/DC ... 35 V/DC
Load (24 V/50 °C)	250 mA
Protection	Against short circuit and overload (thermal)
Error signals	In case of over current, over temperature, low supply voltage
Electrical isolation	By optocouplers, each 8 outputs use one V _{CC} and GND in common

General:	
Ambient temp.	0 °C ... 50 °C
Relative humidity	Max. 90 % (non-condensing)
Operating voltage	3.3 V and 5 V
Signalling voltage	3.3 V or 5 V
Status LEDs	Bus access, IRQ, Error, and User LED
Connectors	CompactPCI board connector, I/O-connector: DSUB50, socket contacts, compatible with passive modules, e.g. Phoenix Contact UM 45-FKL50/LA/PLC
Board dimensions	3 HE height, 4 TE width
Order Information:	
Hardware	Order No.
CPCI-DIO1616/2	16 digital inputs, 16 digital outputs 1.2309.04
Software Support¹	
CPCI-DIO1616-LINUX	Linux driver source code 1.2309.19
CPCI-DIO1616-WIN	Windows driver object licence 1.2309.26
CPCI-DIO1616-VxW	VxWorks driver source code 1.2309.31
CPCI-DIO1616-QNX	QNX6 driver object licence 1.2309.32

¹ For detailed information about driver availability for your operating system please contact our sales team.