

CPCI-CAN/200

1 or 2 Channels CPCI-CAN Interface (Layer 2, CANopen® or J1939)



1 or 2 Channel low-cost CompactPCI CAN Interface

- Passive high-speed CAN interfaces according to ISO 11898, electrically isolated
- PCI bus according to PCI Local Bus Specification 2.1
- Software drivers for Windows® and Linux® included free of charge

Real-time OS Support and Higher Layer Protocols CANopen and J1939

- Software drivers for Windows, Linux, QNX®, RTX/RTX64, VxWorks® and OnTime-RTOS-32
- CANopen and J1939 protocol libraries are available

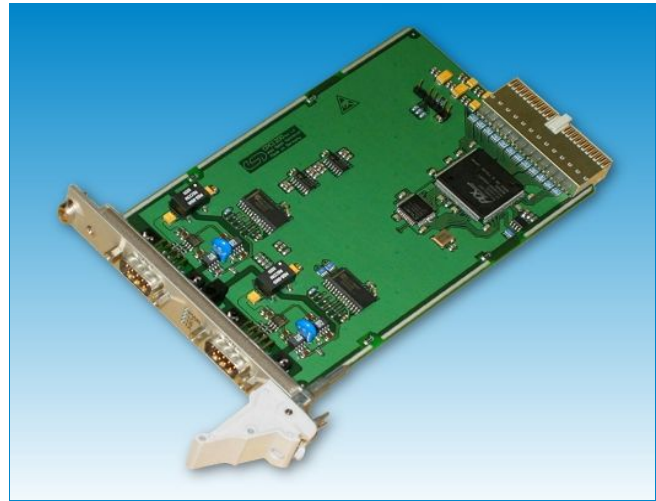
Easy Porting to other Operating Systems due to the Use of a common API (NTCAN-API)

CPCI CAN Interface

The CPCI-CAN/200-2 is a CompactPCI board in 3U format, that features two electrically isolated CAN High-Speed interfaces according to ISO 11898-2. The CAN interfaces are electrically isolated from the other potentials by optocouplers and DC/DC converters.

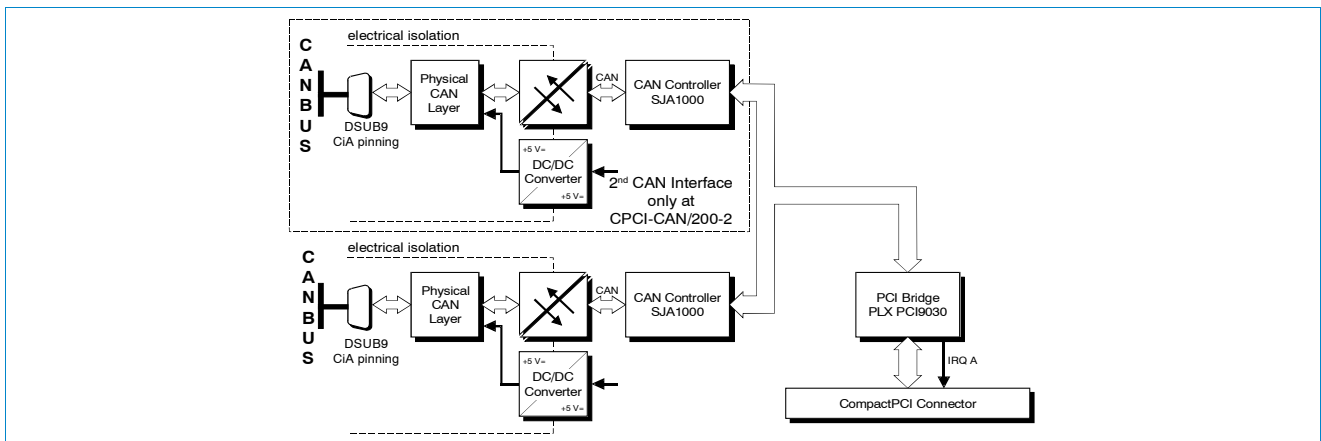
Software Support

CAN layer 2 (NTCAN-API) software drivers are available for Windows, Linux, RTX/RTX64, VxWorks, QNX and OnTime RTOS-32.



Libraries for the higher layer protocols CANopen and J1939 are available.

Additional free-of-charge esd CAN tools for Windows are downloadable from our website. The tools offer efficient setup and analysis of CAN applications and networks.



Technical Specifications:

| CompactPCI Interface and Microcontroller: | |
|-------------------------------------------|-------------------------------------------------------------------------------------------|
| PCI bridge: | PCI9030 |
| CAN: | |
| CAN controller | SJA1000, ISO11898-1 (CAN2.0) |
| CAN interfaces | Differential, electrically isolated, ISO11898-2 (1 Mbit/s) |
| General: | |
| Ambient temperature | 0 °... +50 °C |
| Relative humidity | Max. 90 % (non-condensing) |
| Dimensions | 3 U, 4 HP CompactPCI (6 U front panel available as an option) |
| Supply voltage | 3.3 VDC / 210 mA (max.) 5 VDC / 300 mA (max., 1x CAN) 5 VDC / 400 mA (max., 2x CAN) |
| Connectors: | CAN: 9-pole DSUB (male) |

| Order Information: | | |
|---------------------------------------------------------------------|------------------------|-----------|
| Hardware | | Order No. |
| CPCI-CAN/200-1 | 1x CAN, ISO11898-1, -2 | C.2035.02 |
| CPCI-CAN/200-2 | 2x CAN, ISO11898-1, -2 | C.2035.04 |
| CAN layer 2 drivers for Windows and Linux are included in delivery. | | |

| Software Support | | |
|----------------------------------------------------------------------|--|-----------|
| Real-time OS layer 2 object licences including CD-ROM ¹ : | | |
| CAN-DRV-LCD QNX | | C.1101.32 |
| CAN-DRV-LCD RTX | | C.1101.35 |
| CAN-DRV LCD VxWorks | | C.1101.55 |
| CAN-DRV LCD OnTime-RTOS-32 | | C.1101.45 |
| CANopen object licences including CD-ROM ¹ : | | |
| CANopen-LCD Windows/Linux | | C.1101.06 |
| CANopen-LCD QNX | | C.1101.17 |
| CANopen-LCD RTX | | C.1101.16 |
| CANopen-LCD VxWorks | | C.1101.18 |
| J1939 Stack object licences including CD-ROM ¹ : | | |
| J1939 Stack for Windows | | C.1130.10 |
| J1939 Stack for Linux | | C.1130.11 |
| J1939 Stack for RTX | | C.1130.12 |

¹ For detailed information about driver availability for your operating system please contact our sales team.