

# CAN-CBM-REL4

## 4 Relay Outputs

- 2 monostable change over contacts
- 2 monostable normally open contacts
- switching voltages up to 220 VDC/  
250 VAC
- ampacity up to 2 A

### 4 Relay Outputs

The CAN-CBM-REL4 is equipped with 2 changeover contacts (PDT) and 2 normally open contacts (NOC). The relay outputs can switch starting currents up to 2 A and voltages up to 220 VDC/250 VAC. The maximum switching power is 62.5 VA. The contacts can be switched at a maximum on-period of 20 cycles per minute.

The electrical isolation of the channels allows simultaneous connection of various voltages to the module.

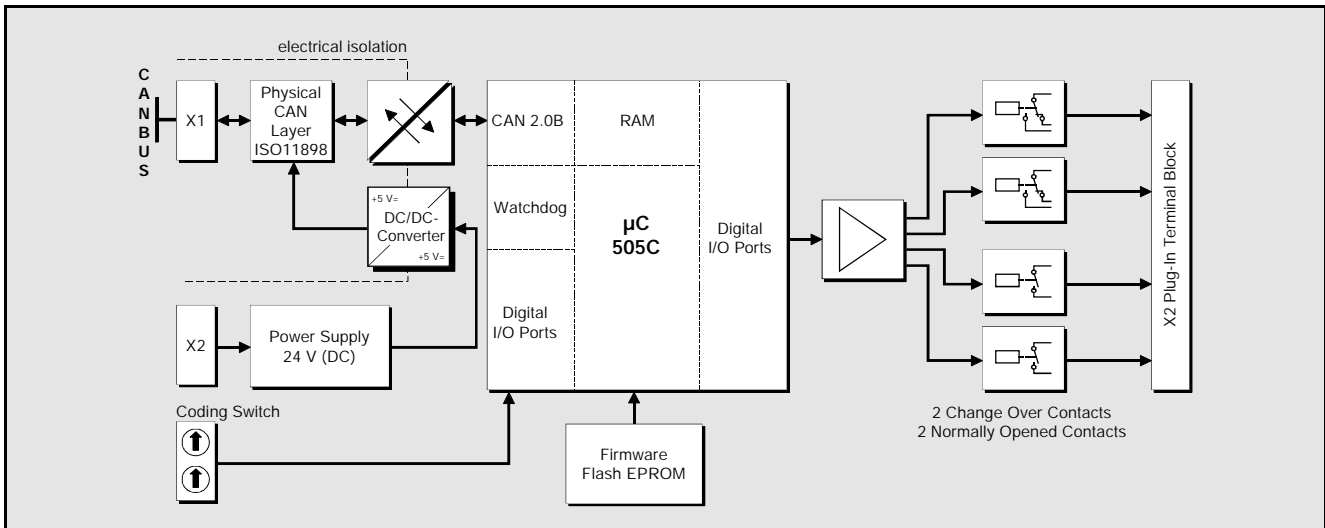


### Local Microcontroller

A 505C microcontroller is used to handle the relays and the CAN.

### CAN Interface

The ISO 11898-compliant CAN interface allows a maximum data-transfer rate of 1 Mbit/s. The CAN interface is electrically insulated by optocouplers and DC/DC converters. It is connected via screw/plug connectors.



### Technical Specifications:

Process coupling:	
Number of outputs:	2 change over contacts 2 normally open contacts
Switching characteristic:	monostable
Max. Switching voltage:	220 VDC/250 VAC
Current loading:	2 A at 30 VDC 0.5 A at 125 VAC 0.3 A at 110 VDC
Max. operating speed:	20 cpm (at 20 /C)
CAN:	
CAN controller:	505C, CAN 2.0B
CAN interface:	differential, electrically insulated, 1 Mbit/s, ISO11898

General:	
Ambient temperature:	standard 0/C ... +50 /C option -40 /C ... +85 /C
Module operating voltage:	+15 ... 25 VDC
Connectors:	Combicon style
Case dimensions:	25 mm x 79 mm x 91 mm, DIN-EN carrier rail mounting
Order information:	
Designation:	Order No.
CAN-CBM-REL4	C.2833.01
2 change over contacts, 2 normally open contacts, ambient temperature 0 /C ... 50 /C	
CAN-CBM-REL4 -40/+85C	C.2833.02
2 change over contacts, 2 normally open contacts, ambient temperature -40/C ... +85/C	
CAN-CBM-REL4-ME	C.2833.21
English user's manual	