

CAN-CBM-COM1

CAN Connection to one Serial Interface

- standard equipment: RS-232
- options: RS-422, RS-485 or TTY-passive
- CAN interface electrically isolated and designed acc. to ISO 11898
- CAN bit rate up to 1 Mbit/s
- DIN rail-mountable housing (TS 35)
- extended temperature range -40 ... +85 °C available

Serial Interface

The CAN-CBM-COM1 offers the linking of the CAN net to a serial interface. In the standard version the physical layer is realized as an RS-232 interface. Instead of the driver for RS-232 interface, the module can be equipped with piggybacks for RS-422, RS-485 or TTY-passive interfaces.



Local Microcontroller

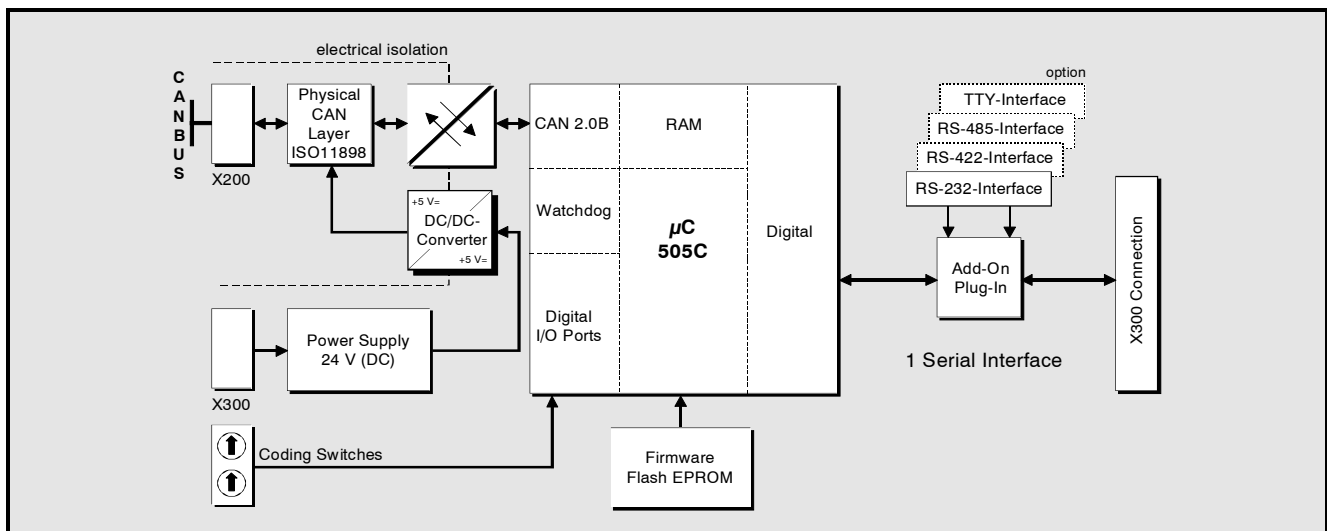
A C505 microcontroller is used to handle the serial interface and the CAN.

CAN Interface

The ISO 11898-compliant CAN interface allows a maximum data-transfer rate of 1 Mbit/s (max. 35 m cable length). The CAN interface is electrically isolated by optocouplers and DC/DC converters.

Complete Firmware On-board

The complete EPROM resident CAN communication firmware for operation of the CAN-CBM-COM1 is contained in the scope of delivery. The module is available with CAN-layer-2 protocol and CANopen.



Technical Specifications:

Process coupling:	
Number of serial interfaces:	1
Equipment of the serial interface:	standard version: RS-232 options: RS-422, RS-485 or TTY-passive
Baud rate:	RS-232: max. 38.4 kbit/s RS-422: max. 125 kbit/s RS-485: max. 125 kbit/s TTYp: typ. 1200 bit/s
Handshake:	Xon/Xoff
CAN:	
CAN controller:	C505
CAN interface:	differential, electrically isolated, 1 Mbit/s, ISO11898
Diagnostic LEDs:	status of CAN module displayed by one green and one red LED

General:	
Ambient temperature:	0 ... +50 °C, -40 ... +85 °C (extended temp. range)
Module operating voltage:	+10 ... 30 VDC
Connectors:	Combicon style
Case dimensions:	25 mm x 88 mm x 85 mm, DIN-EN carrier rail mounting
Order information:	
Designation:	Order No.
CAN-CBM-COM1	CAN-layer2-to-serial, RS-232, C.2841.02 power supply 10...30 VDC
CAN-CBM-COM1	CANOpen-to-serial, RS-232, C.2841.03 power supply 10...30 VDC
Instead of RS-232 with (specify in order):	
RS-422 adaptor	V.1930.02
RS-485 adaptor	V.1930.04
TTY-20mA passive	V.1930.06
CAN-CBM-COM1-ME	English user's manual C.2841.21