

CAN-CBM-AI410

4 Analog Inputs

- low cost compact CAN module
- direct fixing at DIN-EN carrier rail mounting
- 4 analog inputs with 10 bits resolution
- extended temperature range -20...+85 °C available

Industry-compliant Design

The analog inputs are connected via screw/terminal connectors (COMBICON), which, in the shape of 'standing wiring', guarantee an easy and safe handling while being low-cost at the same time. The case is safety class IP 20.

CAN Bus

The electrically isolated physical CAN layer has been designed in accordance with ISO 11898 and allows data-transfer rates of up to 1 Mbit/s. The bit rate can be programmed or set by the coding switches. The CAN bus is connected via screw/plug connectors.



Local Microcontroller

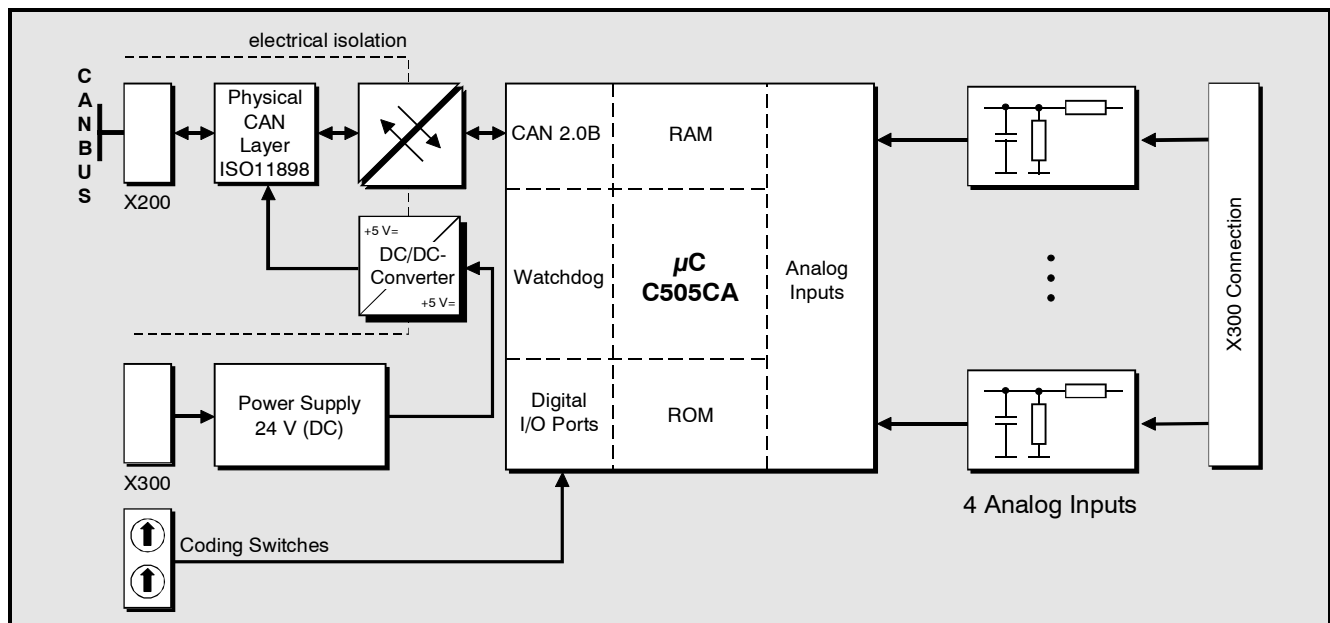
The CBM-AI410 module has been designed with a C505CA microcontroller to handle the analog inputs and the CAN interface.

Address of the CANbloc Module

The setting of the CAN device address is done by the coding switch or by programming.

CAN Protocols

The CANbloc-Mini module is operating with CANopen in accordance with CiA-DS301 and DS401 in the default state.



Technical Specifications:

Analog inputs:

Number of inputs:	4	
Specification:	resolution:	10 bits
	input ranges:	0...10 V
Configuration:	via coding switches or software	

CAN:

CAN controller:	C505CA
CAN interface:	electrically isolated acc. to ISO11898, 1 Mbit/s (max. 35 m cable length)
Protocol:	CANopen DS-301, DS-401

General:

Ambient temperature:	0...50 °C -20...+85 °C extended temperature range
Module operating voltage U_s :	+10 ...30 VDC
Case dimensions:	25 mm x 88 mm x85 mm DIN-EN carrier rail mounting

Order information:

Designation	order no.
CAN-CBM-AI410	CANbloc-Mini module, 0...50 °C, C.2835.02 4 analog inputs, CANopen
CAN-CBM-AI410-T	as C2835.02 but -20...+85 °C C.2835.04
CAN-CBM-AI410-ME	English user's manual C.2835.21