



# CANopen-DP

## Gateway CANopen® to PROFIBUS-DP® Slave

### Connection of CANopen Devices and Networks to PROFIBUS-DP

- DP-slave with 240 bytes input and 240 bytes output PROFIBUS data
- CANopen Manager
- Cycle time only limited by PROFIBUS

### PROFIBUS-DP slave according to IEC 61158

### Configuration with Standard Tools

- Run-time configuration via PLC
- No special tools required
- Plug 'n' play replacement

### Linking PROFIBUS-DP and CANopen

The CANopen-DP can link any PROFIBUS-DP master to a CANopen network. The gateway operates as a PROFIBUS-DP slave-I/O component with a total of



maximum 240 bytes input and 240 bytes output data. It supports cyclic (DP-V0) as well as acyclic (DP-V1) PROFIBUS data transfers.

On the CANopen side it operates as a CANopen manager supporting CANopen master, NMT master and configuration functions. PDO and SDO (with SDO timeout and MPDO transmission) data transfers are supported. START frame, SYNC and Heartbeat are controlled by the module.

### Applications

With the CANopen-DP gateway you can couple CANopen modules to e.g. a SIMATIC-S7. The number of CANopen devices is not limited by the module.

### Physical Interfaces

The ISO 11898-compatible CAN interface allows a maximum data-transfer rate of 1 Mbit/s. The PROFIBUS-DP-Slave interface automatically recognizes all usual bit rates up to 12 Mbit/s. The PROFIBUS-DP as well as the CAN interface are electrically isolated.

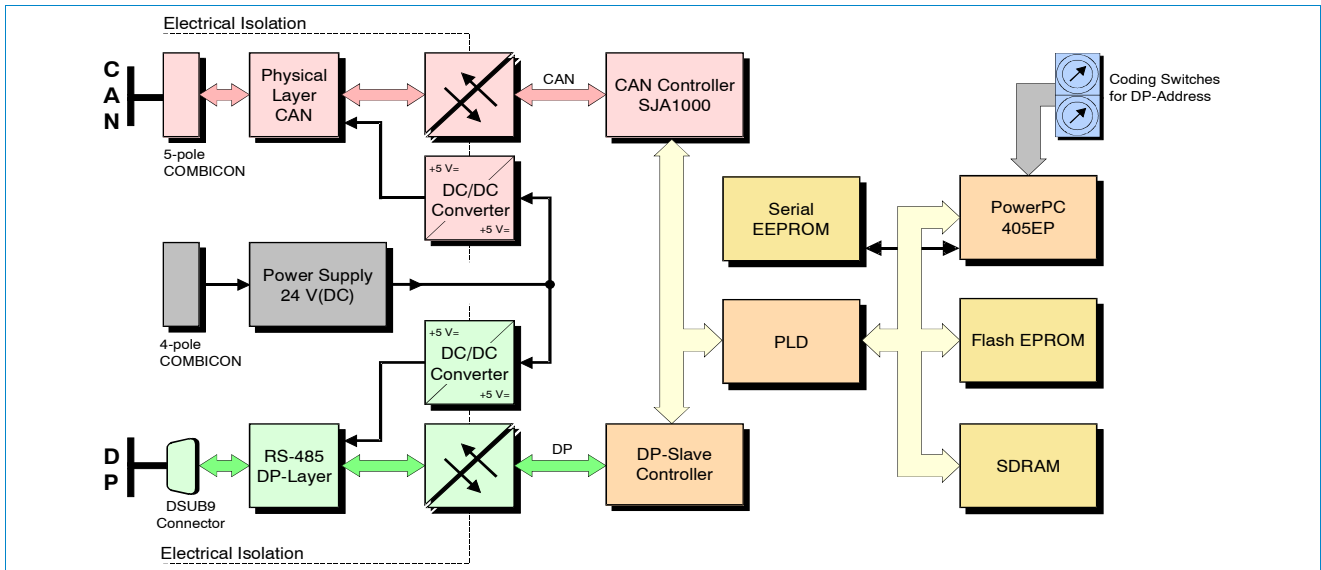
### Configuration and CAN Protocols

The module can be configured via PROFIBUS configuration tool, e.g. the PLC SIMATIC Manager.

CANopen is supported as CAN-layer-7 protocol on the CAN layer. Additionally CAN-layer-2 functions are available.

### Options

The gateway is available in a version for extended temperature range.



### Technical Specifications:

<b>CPU:</b>	
Microcontroller	PowerPC™ 405 EP
Memory	16 MB SDRAM, 2 MB Flash EPROM
<b>CAN:</b>	
CAN controller	SJA1000, ISO 11898-1
CAN interface	ISO 11898-2, up to 1 Mbit/s
<b>PROFIBUS-DP:</b>	
DP controller	VPC3, DP-Slave
CAN interface	RS-485, electrically isolated, max. 12 Mbit/s
<b>General:</b>	
Operating voltage	nominal 24 VDC ± 10% / 150 mA (20°C)
Ambient temperature	CANopen-DP: 0 °C ... 50 °C CANopen-DP-T: -40 °C ... +70 °C

<b>General (continued):</b>	
Relative humidity	Max. 90 % (non-condensing)
Dimensions	23 mm x 10 mm x 120 mm, DIN EN carrier rail mounting (T35)
Weight	130 g
Connectors	CANopen: 5-pin Combicon, open style 5.08 DP: 9-pin female DSUB power: 4-pin Combicon, open style 5.0
<b>Order Information:</b>	
Hardware	Order No.
CANopen-DP	PROFIBUS-DP-CANopen-gateway, GSD-file C.2908.02
CANopen-DP-T	PROFIBUS-DP-CANopen-T-gateway, GSD-file, extended temperature range -40°C...+70°C C.2908.03