

CAN/402-Slot2-LIN

2-Channel LIN Extension for CAN FD Boards of the CAN 402 Series



Extension with 2 LIN Interfaces for CAN FD Boards of Our CAN 402 Series

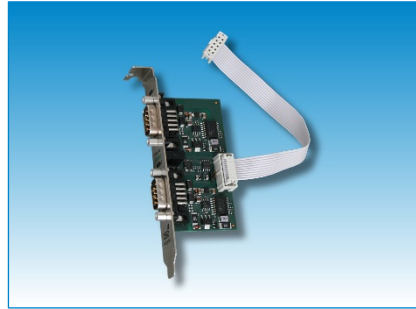
- Extension board with 2 additional LIN interfaces, physical layer according to ISO 17987-4:2016
- Bit rate programmable up to 20 kbit/s
- LIN interfaces via DSUB9 connectors in the front panel
- Master and Slave work modes
- Switchable LIN Master pull-up resistors
- Status LEDs
- Flat ribbon cable included in delivery

Easily extend Your esd Board with LIN

- Automatic detection of the CAN/402-Slot2-LIN
- Automatic bit rate detection and resynchronisation

Compatible with 2-Channel esd CAN FD Boards in PCI and PCI Express® Form Factor

- Usable with CAN-PCI/402-2-FD and CAN-PCIe/402-2-FD



The LIN interfaces are designed according to ISO 17987-4:2016. They are accessible via DSUB9 connectors in the separate slot bracket of the extension board.

Extension for CAN-PCI/402-2-FD and CAN-PCIe/402-2-FD

These esd boards of the CAN 402 Series in PCI or PCIe form factor each feature two CAN FD interfaces according to ISO 11898-2 via DSUB9 connectors.

The CAN FD interfaces are designed according to ISO 11898-1:2015.

They are driven by the ISO 16845:2004 certified esdACC (esd advanced CAN Core) and are fully compatible with Classical CAN.

CAN and LIN as single Interface Board

Thanks to the LIN extension, CAN and LIN go hand in hand. In addition to the esdACC cores, with the extension the product contains two LIN IP cores. This allows CAN and LIN to be used in parallel and to take advantage of the bus mastering implemented in the hardware and the driver.

Software Support

Windows and Linux

(NTCAN- and NTLIN-API)

The CAN/LIN layer 2 drivers for Windows and Linux are included in the scope of delivery of CAN-PCI/402-2-FD and CAN-PCIe/402-2-FD.

Real-time OS (NTCAN- and NTLIN-API)

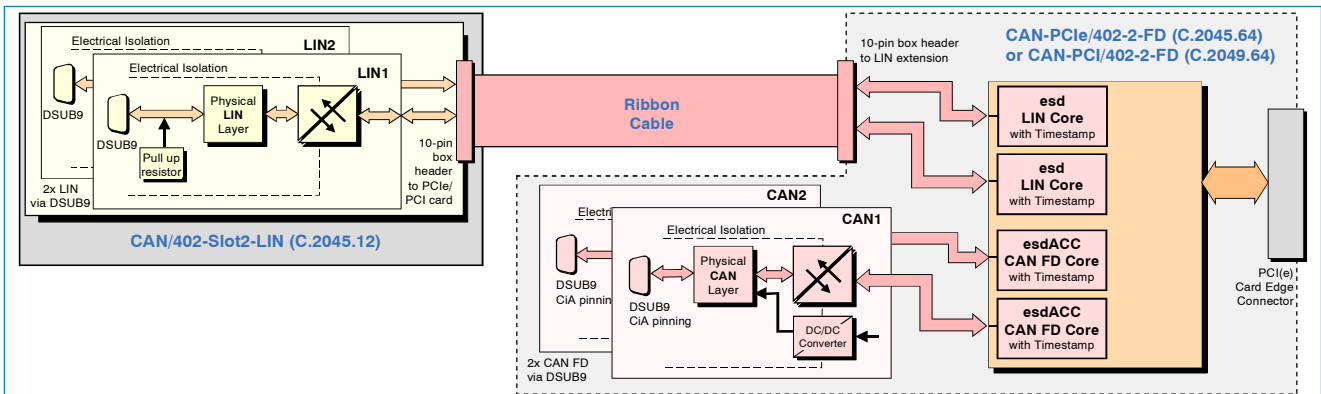
CAN/LIN layer 2 drivers, e.g. for QNX®, RTX64® and VxWorks® can be ordered separately.

Customization on Request

Customized options are available for customized serial production in reasonable quantities. Please contact our sales team for detailed information.

CAN/402-Slot2-LIN Extension

As extension for the esd CAN-PCI/402-2-FD and CAN-PCIe/402-2-FD boards, the CAN/402-Slot2-LIN provides the physical layers of two additional LIN interfaces.



Technical Specifications:

LIN:	
Interface	2x LIN physical layer according to ISO 17987-4:2016, with electrical isolation bit rate up to 20 Kbit/s,
Specification	LIN Specification versions 1.3, 2.1 and 2.2A
Requirement	Useable with esd CAN-PCIe/402-2-FD or CAN-PCI/402-2-FD. The firmware version of these cards must be at least version 00.72 (or 48 _n).
General:	
Ambient temp.	0 °C ... +75 °C
Rel. humidity	Max. 90 % (non-condensing)
Power supply	5 V DC ±5%
Dimensions	44 mm x 80 mm x 21.6 mm (Length x width x height)
Connector	LIN interfaces: 2x DSUB9 Connection to CAN board: box header, pin contacts, 2x 5 pins
Weight	50 g

Order Information:

Hardware	Order No.
CAN/402-Slot2-LIN Extension board with 2 LIN interfaces via DSUB9, for of CAN-PCIe/402-2-FD (C.2045.64) and CAN-PCI/402-2-FD (C.2049.64), connector cable included	C.2045.12

Software Support¹

CAN/LIN drivers for Windows/Linux are included in delivery of the CAN-PCI/402-2-FD and CAN-PCIe/402-2-FD board free of charge.

Additional CAN layer 2 object licences including CD-ROM¹:

CAN-DRV-LCD QNX	Obj. licence for QNX6, QNX7	C.1101.32
CAN-DRV LCD RTX	Object licence for RTX64	C.1101.35
CAN-DRV-LCD VxWorks	Object licence for VxWorks	C.1101.55

¹ For detailed information about driver availability for your operating system please contact our sales team.

Related Products

CAN-PCIe/402-2-FD	PCIe board with 2x CAN FD	C.2045.64
CAN-PCI/402-2-FD	PCI board with 2x CAN FD	C.2049.64