

CAN-PC104/200

Passive PC/104-CAN Interface

Low Cost PC/104 to CAN Interface

- CAN controller SJA1000
- PC/104 interface: 8 bit, IRQ: 1 of 12
- CAN interfaces electrically isolated and designed acc. to ISO 11898-2
- Bit rate up to 1 Mbit/s

Real-time OS Support and Higher Layer Protocols CANopen and J1939

- Software driver for Windows®, Linux®, QNX® and VxWorks®
- CANopen® and J1939 protocol libraries are available

Easy to use for Evaluation and Starter Kits

CAN Interface Board for PC/104

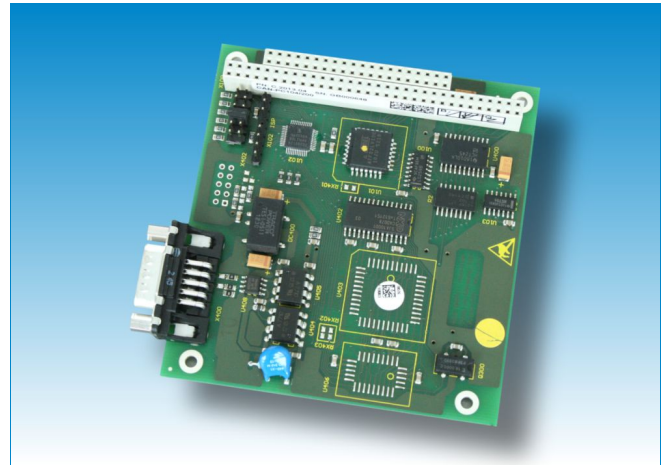
The module CAN-PC104/200 is a 8-bits-plug-in board designed for the PC/104 bus. It is equipped with the SJA1000 CAN controller, representing each the FULL or BASIC CAN operation mode, to meet the user's individual requirements.

CAN Interface

The ISO 11898 compliant CAN interface allows a data transfer rate of 1 Mbit/s. The CAN interface is electrically isolated from the other potentials.

Software Support

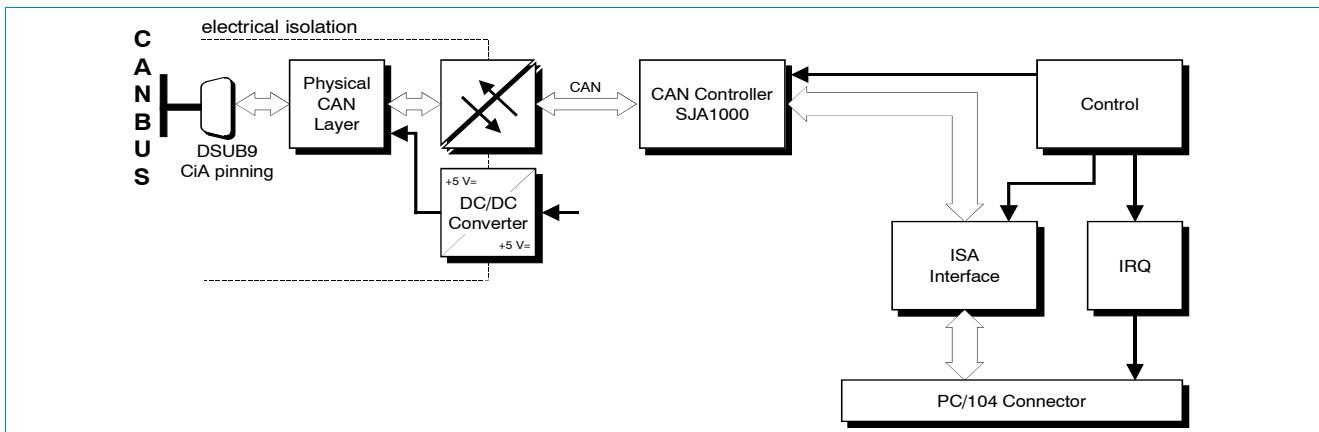
CAN layer 2 (NTCAN-API) software drivers are available for Windows, Linux, VxWorks and QNX.



The CANopen software package is available for Windows, Linux, VxWorks and QNX. Drivers for other operating systems are available on request.

Like all low cost CAN boards there are restrictions in comfort and data reliability with the CAN-PC104/200 due to the simple design of these boards. A reception without data loss can not be guaranteed in these designs, because it depends on the bit rate, the performance and the operating system of the host CPU.

(This product is not recommended for new designs.)



Technical Specifications:

PC/104 Interface:	
PC/104 interface	data: 8 bit, IRQ: 1 of 12
CAN:	
CAN controller	SJA1000, acc. to ISO 11898-1 (CAN 2.0 A/B)
CAN interface	1x, according to ISO 11898-2, bit rate up to 1 Mbit/s, electrically isolated
General:	
Temperature	0...50 °C
Humidity	max. 90 % non-condensing
Supply voltage	via PC/104-bus, nominal voltage: 5 V ±5%, nominal current (at 20°C): $I_{TYP_5V} = 250$ mA
Connector	CAN: 9-pole DSUB (male)

Order Information:		
Hardware		Order No.
CAN-PC104/200	Passive PC/104 to CAN interface, 1xCAN2.0A/B Phil SJA1000, 1x CAN (2.0 A/B)	C.2013.04
CAN layer 2 drivers for Windows and Linux are included in delivery.		
Software Support		
Additional CAN layer 2 object licences including CD-ROM ¹ :		
CAN-DRV-LCD VxWorks		C.1101.55
CAN-DRV LCD QNX		C.1101.32
CANopen object licences including CD-ROM ¹ :		
CANopen-LCD Windows/Linux		C.1101.06
CANopen-LCD VxWorks		C.1101.18
CANopen-LCD QNX		C.1101.17
J1939 stack for esd hardware including CD-ROM ¹ :		
J1939 stack for Windows (Object)		C.1130.10
J1939 stack for Linux (Object)		C.1130.11

¹ For detailed information about driver availability for your operating system please contact our sales team.