



CAN-CBX-CPU5201

Powerful Realtime Controller in a Smart Format

Stand-Alone PowerPC™ Controller

- MPC5121 with FPU, 400 MHz
- 0.5 GB SDRAM, 1 GB NAND-Flash

Fast Communication Interfaces

- 100BASE-TX Ethernet
- 2x CAN, 1x USB 2.0 Full-Speed Host

Profibus and EtherCAT Options

- Profibus-DP slave (as option)
- EtherCAT-Master (as option)

PowerPC™ Device

The CAN-CBX-CPU5201 is a stand-alone CPU module with a powerful 400 MHz PowerPC, 0.5 GB DDR2-SDRAM, 1GB NAND-Flash and RTC with battery backup on-board.

InRailBus

The power supply and the CAN bus signals can be applied via the InRailBus connector (TBUS-connector) integrated in the mounting rail or separately via the clamp-connection. From the InRailBus individual modules can be removed without interrupting the bus signals.

Communication Interfaces

The CAN-CBX-CPU5201 comes with a 100BASE-TX ETHERNET interface that is accessible via an RJ45 plug in the front. An USB device (e.g. printer, memory stick) can be connected on the front side USB 2.0 Host interface. The two CAN interfaces are designed according to ISO11898-2 high-speed with bit rates up to 1 Mbit/s.

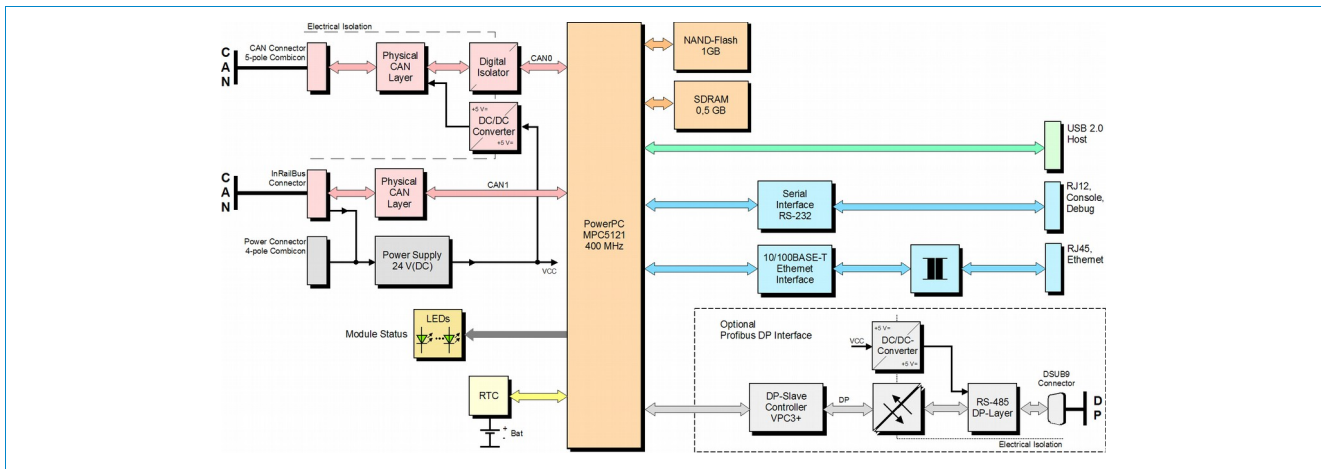


CAN-CBX-5201/DP

One CAN interface is electrically isolated and is accessible via a 5-pole Combi-con connector. The other CAN interface (optional electrically isolated) is connected to the InRailBus for local CBX-I/O expansion. A serial RS-232 interface for terminal and debugging is accessible via an RJ12 connector.

Software Support

Linux, Linux/PREEMPT-RT and QNX 6.0 are available as operating systems, others on request. With the IEC61131-3 programming and run-time system CoDeSys the controller can act as a PLC optionally.



Technical Specifications:

Microcontroller and Memory:	
Microcontroller	PowerPC™ MPC5121, 400 MHz
Memory	0.5 GB SDRAM, 1 GB NAND-Flash
Ethernet:	
Interface	100BASE-TX, IEEE 802.3, RJ45
CAN:	
Controller	2x Freescale MSCAN, ISO 11898-1
Interface	2x high-speed, ISO 11898-2, max. 1 Mbit/s
Connector	1x electrically isolated, 5-pin COMBICON style 1x InRailBus
USB	
Interface	USB 2.0 Host, Full-Speed, USB Type-A
Profibus-DP Slave (Option)	
Controller	VPC3+ Profibus-DP slave
Interface	RS-485, max. 12 Mbit/s, DSUB-9f

General:	
Operating supply voltage	Typ. 24 V DC Min./max.: 12 V DC / 32 V DC
Current consumption	Typ. 210 mA (at typ. supply voltage)
Ambient temperature	Operational: -20 °C ... +60 °C Storage/transport: -20 °C ... +70 °C
Relative humidity	Max. 95 % (non-condensing)
Dimensions [mm]	22.5 x 99 x 114.5 (without connectors)
Weight	Ca. 160 g
Order Information:	
Designation	order no.
CAN-CBX-CPU5201	Linux C.3071.02
CAN-CBX-CPU5201/DP	Linux, Profibus-DP-Slave Option C.3071.03
CAN-CBX-CPU5201	QNX 6.x C.3071.04

Please ask for EtherCAT master, CoDeSys PLC and further options.

All data are subject to change without prior notice.
I:\Texte\IDoku\DL\CAM\ENGLISH\Blue\CAN-CBX-CPU5201_Datasheet_en_06.doc

CIA® and CANopen® are registered community trademarks of CAN in Automation e.V.. EtherCAT® is a registered trademark and patented technology. All other trademarks are reserved by their respective owners.