

CAN-PCI/4XX-B4-1C4 DSUB37-to-4xDSUB9

CAN Adapter Cable DSUB37 to 4x DSUB9



Wiring of 4-Channel CAN Interfaces with DSUB37

- 37-pin DSUB connector with female contacts
- 4x 9-pin DSUB connector with male contacts
- total length 500 mm

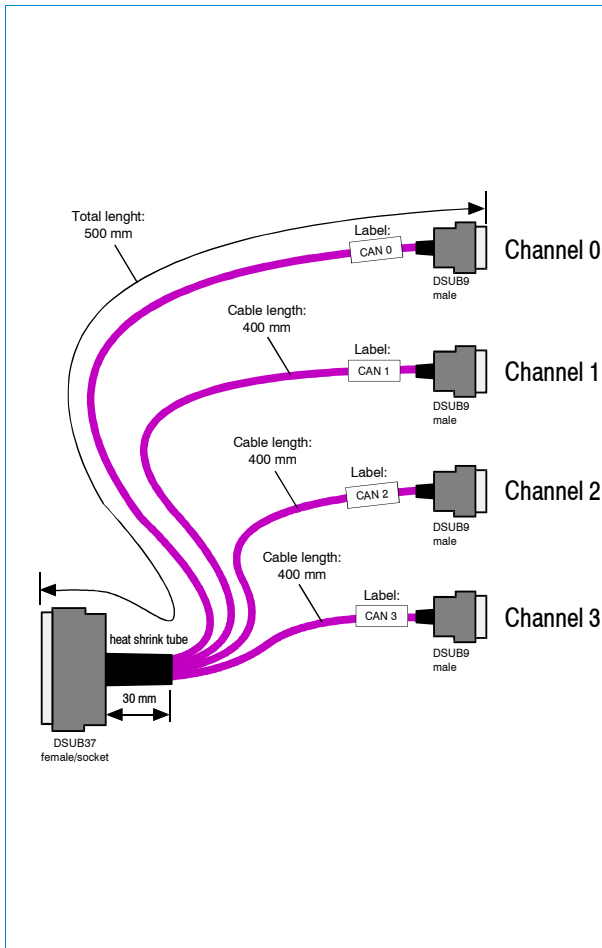
DSUB9 Connector Pin Assignment acc. to CiA 303-1

Time-saving wiring

Connect esd's 4-Channel CAN Interfaces

This adapter cable is designed to connect 4-channel esd CAN interface boards with DSUB37 connector to CiA 303-1 DSUB9 connectors, e.g.

- CAN-PCIe/402-B4/1Slot (order no. C.2045.08)
- CAN-PCI/405-B4 (order no. C.2041.04)



Connector A		Cable		Connectors B		Signal Name
Connector type	Pin no.	Label	Color (internal)	Connector type	Pin no.	
DSUB37 socket (female)	1	-	-	-	-	-
	:	-	-	-	-	-
	4	-	-	-	-	-
	5	CAN3	shield	DSUB9 plug (male)	3 + Housing	CAN3_GND*
	6		brown		7	CAN3_H
	7		white		2	CAN3_L
	8	-	-	-	-	-
	9	CAN2	shield	DSUB9 plug (male)	3 + Housing	CAN2_GND*
	10		brown		7	CAN2_H
	11		white		2	CAN2_L
	12	-	-	-	-	-
	13	CAN1	shield	DSUB9 plug (male)	3 + Housing	CAN1_GND*
	14		brown		7	CAN1_H
	15		white		2	CAN1_L
	16	-	-	-	-	-
	17	CAN0	shield	DSUB9 plug (male)	3 + Housing	CAN0_GND*
	18		brown		7	CAN0_H
	19		white		2	CAN0_L
	20	-	-	-	-	-
	:	-	-	-	-	-
37	-	-	-	-	-	
Housing not connected	-	-	-	-	-	

* CANx-GND are isolated from each other. They are not tied together by the adapter cable.

Technical Specifications:

Connectors	
Connector A	DSUB37 (IEC 60807) female with fixing bolts
Connectors B	4x DSUB9 (IEC 60807) male with fixing bolts
Fixing bolts	Size = UNC4-40

Cables	
Cable type	4x cable CC-Bus-PVC 2x 0,22 mm (shielded)
	Cable only length = 400 mm ±10 mm
	Over all length = 500 mm ±10 mm

Order Information:		
Designation		Order No.
CAN-PCI/4XX-B4-1C4 DSUB37-to-4x-DSUB9	Adapter cable DSUB37 to 4x DSUB9	C.2041.18