



AMC-PCIe-Carrier

PCI EXPRESS® Adapter Board for AMC Boards

- Program development and validation for AMC modules without an MTCA system
- Operation of MTCA®-AMC boards in a PC* environment

Application of AMC-PCIe-Carrier

The AMC-PCIe-Carrier is designed for the quick and easy development of software for AMC modules in the PC* environment, without the need of an MTCA system.

Hot-Swap

Besides passively passing the PCIe-X1 signals through, a Hot-Swap controller is integrated, which enables 'Hot-Insert' and 'Hot-Remove'.

Additional Features

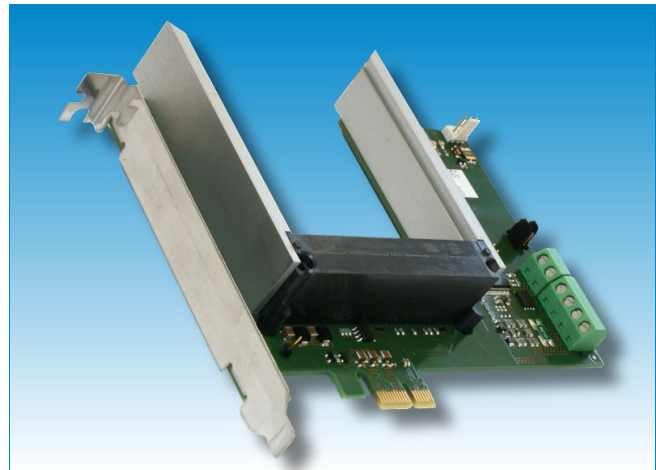
The current consumption of the AMC module can be measured. Colored LEDs on the board indicate the status of the power supply and of the Hot-Swap controller.

For cooling of the inserted AMCs an optional fan can be mounted at the AMC-PCIe-Carrier.

All MTCA-connector signals are protected by transient voltage suppressors.

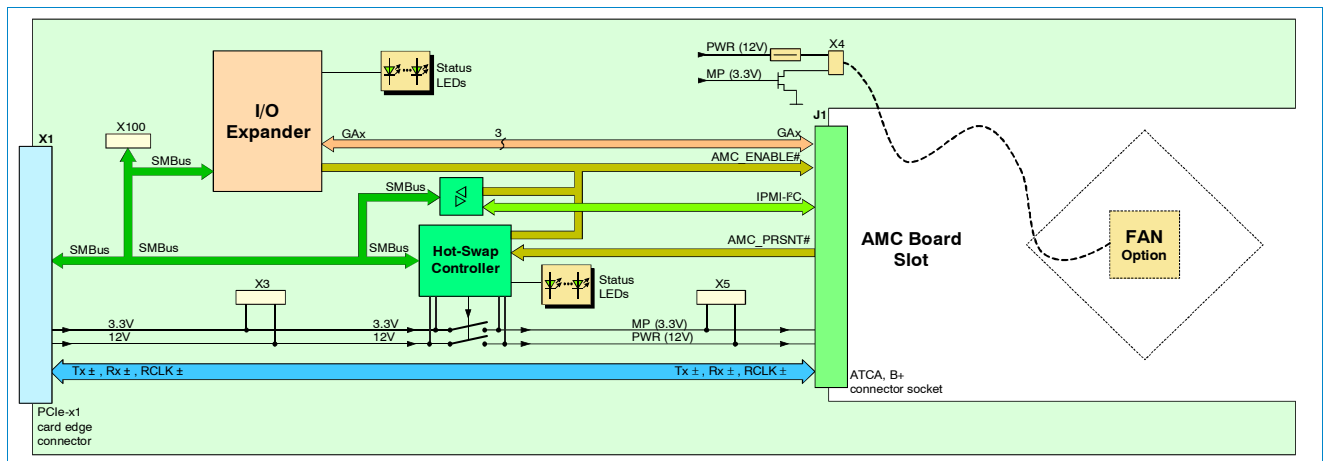
* Requirements:

SMBus supplied PCIe-slot. Full master-slave-functionality of the I²C controller, otherwise restricted IPMI compatibility.



Software Support

Software drivers/library for the Hot-Swap controller are available for Linux®.



Technical Specifications:

MicroTCA™/AMC Standards:	
μTCA	PCIMG® MTCA.0 R1.0, PICMG® AMC.0 R2.0
IPMI	IPMI V1.5
Updates	PCIMG® HPM.1 R1.0
Slot	Designed for single-width (73.5 mm x 180 mm) AMC boards
Connector	170-pin AMC socket connector-AMC B/B+ compatible (MTCA™)
PCI Express Interface:	
PCIe port	According to PCI EXPRESS Specification R1.0a
Link width	1x
Connector	PCIe card edge connector

General:	
Ambient temperature	5 °C ... +45 °C (free convection)
Relative humidity	Max. 90 % (non-condensing)
Power supply voltage	3.3 V (I _{3.3Vmax} : 500 mA), 12 V (I _{12Vmax} : 5.0 A)
Dimensions	Approx. 111 mm x 150 mm

Order Information:		
Hardware		Order No.
AMC-PCIe-Carrier	PCIe adapter board for AMC boards	U.1003.01
Accessories		
AMC-PCIe-Carrier-Fan	Standard fan, 80 mm, for AMC-PCIe-Carrier	U.1003.10
Software		
AMC-PCIe-Carrier-Driver	Software drivers/library for the Hot-Swap controller for Linux	U.1003.25

