

AMC-ADIO-Adapter

Routing Module for har-link® Connector

Easy Wiring of Process Signals

- Adapter for 10-pin female har-link® connector (Harting) to Phoenix Contact COMBICON with spring-cage connection FK-MCP 1,5/14-STF-3,81

Standard Mounting at DIN-EN Rail

Optimal Signal Shielding with har-link® Adapter Cable

One Adapter - Four Applications

The AMC-ADIO-Adapter is designed to support the wiring of the AMC-ADIO24. The adapter can be connected to each I/O-type of the AMC-ADIO24: digital I/O, analog inputs, analog outputs or SYNC-ports.

Signal Routing

Eight signal lines plus Ground and Shield are routed via the har-link® cable to the Mini COMBICON connector at the AMC-ADIO-Adapter. One Shield clamp is available for two signal lines. This ensures optimum shielding of the cable assembly.

The shield potential is automatically connected with the DIN-EN rail via a spring cage contact when the AMC-ADIO-Adapter is mounted on the rail.

If connected to one of the analog input connectors at the AMC-ADIO24, four differential analog I/O signals plus Shield and Ground are available. Connected to the analog output connector two analog outputs each as differential and single ended plus Shield are available.



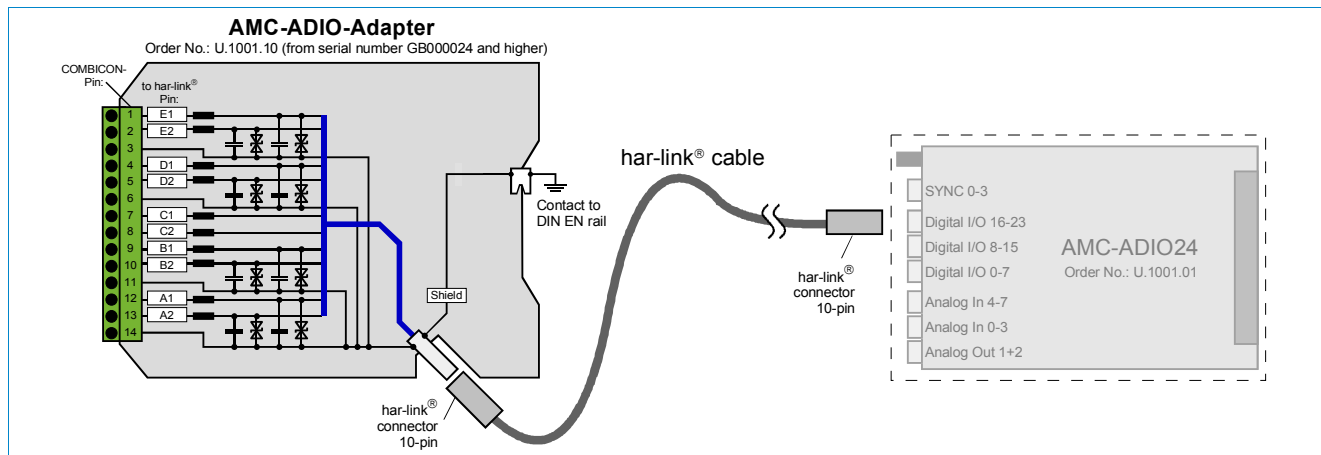
If connected to one of the digital I/O connectors eight digital I/O-signals plus plus Shield and Ground are available. Connected to the SYNC-connector 4 SYNC ports plus Shield are available.

EMC Improvement

HF ferrites in the signal lines improve the EMC properties of the AMC-ADIO-Adapter.

Easy Wiring

The Mini COMBICON connector is pluggable to allow easy removing of the cable assemblies.



Technical Specifications:

Enclosure :	
Type	PHOENIX ME MAX
Dimensions [mm]:	22.5 x 112 x 113
IP Class:	IP20
UL-Flame Rating:	UL94 V-0

Connectors:	
AMC side:	10-pin har-link® female connector (Part No.: 27 21 121 8000)
Process side:	14-pin COMBICON style connector FK-MCP 1,5/14-STF-3,81 with spring-cage connection

General:	
Ambient temperature:	-40 °C ... +85 °C
Relative humidity:	max. 90 % (non-condensing)
Weight:	120 g

Order information:	
Hardware	Order No.
AMC-ADIO-Adapter	EN DIN rail module for conversion from 10-pin har-link® interface female connector to a 14-pin MC 1,5 COMBICON female connector

Accessories	
har-link® cable	adapter cable, 10-pin har-link® male connector to 10-pin har-link® male connector, length 0.5 m U.1001.11 length 1.0 m U.1001.12 length 2.0 m U.1001.13